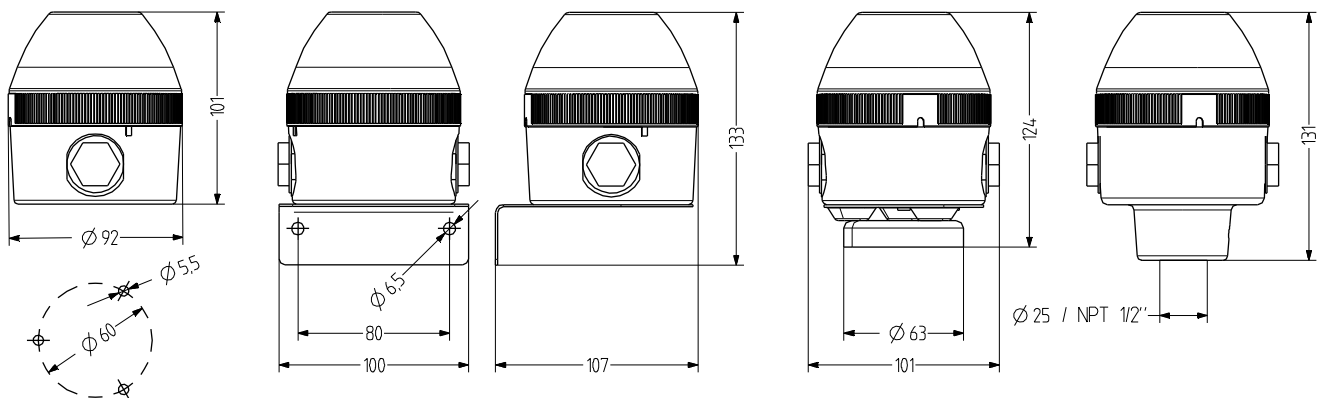


NFS LED strobe/double strobe beacon

- Ø 90 mm LED strobe/double-strobe beacon
- Wide voltage range due to switched-mode power supply technology
- Good signalling effect
- High degree of protection IP 65 & IP 67
- Modern LED technology – 3 high-power LEDs
- Strobe/double strobe can be selected via DIP switch
- For industrial and general applications
- 4 types of mounting



TECHNICAL DATA

Housing	Ø 90 mm, Polycarbonate black (RAL 9005)
Lens	Polycarbonate, ribbed inside orange, red, clear, blue, green or yellow
Type of mounting	horizontal, vertical, Tube mounting or Magnetic mounting
Cable entry	side: 2× M20 × 1.5 with blind plugs (optional cable gland 7–14 mm), bottom: Grommet 5–7 mm
Connection technology	Terminal 2,5 mm ²
Leakage current	0,003 A (PLC-suitable)

Beacon type	LED strobe beacon
Light source	3 High Power LEDs
Strobe/flash frequency	1,4 Hz
Duty cycle	100 %
Service life	Light source: >50.000 h
Operating temperature	-30°C/+60°C
Degree of protection	IP65, IP67 & UL Type 4/4×/13
Weight	280 g (horizontal base)



NFS

ORDER DATA

Lens colour	Nominal voltage	Voltage range [V]	Nominal current [A]	Type of mounting		
				horizontal	Tube Ø 25 mm	Tube NPT 1/2"
orange	24-48 V AC/DC	16-52 V AC	0,271	442 101 408	442 301 408	442 401 408
		16-60 V DC	0,220			
	110-120 V AC	+/- 10 %	0,074	442 101 310	442 301 310	442 401 310
	230-240 V AC	+/- 10 %	0,074	442 101 313	442 301 313	442 401 313
red	24-48 V AC/DC	16-52 V AC	0,271	442 102 408	442 302 408	442 402 408
		16-60 V DC	0,220			
	110-120 V AC	+/- 10 %	0,074	442 102 310	442 302 310	442 402 310
	230-240 V AC	+/- 10 %	0,074	442 102 313	442 302 313	442 402 313
clear	24-48 V AC/DC	16-52 V AC	0,271	442 104 408	442 304 408	442 404 408
		16-60 V DC	0,220			
	110-120 V AC	+/- 10 %	0,074	442 104 310	442 304 310	442 404 310
	230-240 V AC	+/- 10 %	0,074	442 104 313	442 304 313	442 404 313
blue	24-48 V AC/DC	16-52 V AC	0,271	442 105 408	442 305 408	442 405 408
		16-60 V DC	0,220			
	110-120 V AC	+/- 10 %	0,074	442 105 310	442 305 310	442 405 310
	230-240 V AC	+/- 10 %	0,074	442 105 313	442 305 313	442 405 313
green	24-48 V AC/DC	16-52 V AC	0,271	442 106 408	442 306 408	442 406 408
		16-60 V DC	0,220			
	110-120 V AC	+/- 10 %	0,074	442 106 310	442 306 310	442 406 310
	230-240 V AC	+/- 10 %	0,074	442 106 313	442 306 313	442 406 313
yellow	24-48 V AC/DC	16-52 V AC	0,271	442 107 408	442 307 408	442 407 408
		16-60 V DC	0,220			
	110-120 V AC	+/- 10 %	0,074	442 107 310	442 307 310	442 407 310
	230-240 V AC	+/- 10 %	0,074	442 107 313	442 307 313	442 407 313



Strobe



WMS



MMR



MSR



MGS



AKV



MBK



MQS

ACCESSORIES

Type	Type of accessory	Tube length	Weight	Order number
WMS	Metal bracket for wall mounting		160 g	817 200 900
MMR	Tube mounting Aluminium with plastic foot	50 mm		698 806 007
		100 mm		698 806 008
		250 mm		698 806 009
		400 mm		698 806 010
MSR	Tube mounting Stainless steel with die-cast zinc foot, black (powder-coated)	50 mm		698 806 021
		100 mm		698 806 022
		250 mm		698 806 023
		400 mm		698 806 024
MGS	Magnetic fixing		340 g	817 203 900
AKV	Cable gland M20x1,5			698 800 026
MBK	Earthing kit for UL-compliant installation			819 201 900
MQS	Mounting plate for UL-compliant installation			817 202 900