

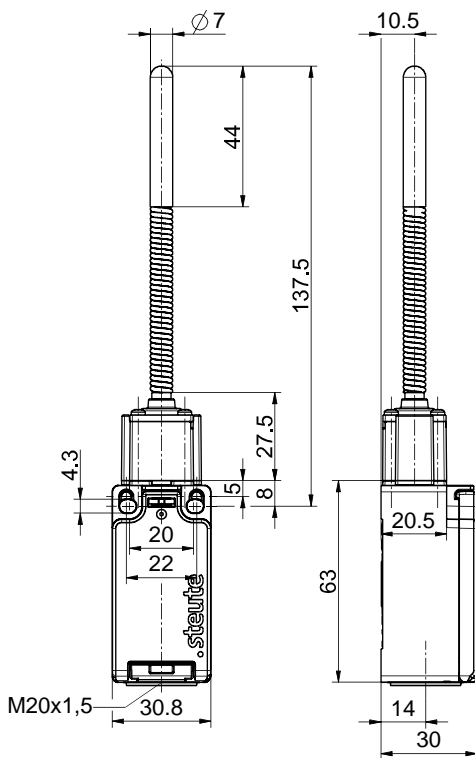


Position switch  
 ES 97 TK 11  
 Material number: 1213137

Features/Options:

- Thermoplastic enclosure
- Design to EN 50047
- Horizontally slotted mounting holes
- Double insulated
- Cover fixed without screws
- Actuator: Spring rod with plastic tip TK
- Wear-resistant plastic tip
- Spring rod can be actuated from any direction

Dimensions



Technical data

|   |   |
|---|---|
| Applied standards                         | EN 60947-5-1, EN ISO 13849-1, EN ISO 14119, type V: EN 60947-5-5  |
| Enclosure                                 | thermoplastic, glass-fibre reinforced, shock-proof, self-extinguishing UL 94 V-0, weathering resistant, UV stabilised |
| Degree of protection                      | IP 66/67 to IEC/EN 60529  |
| Switching system                          | slow action   |
| Switching elements                        | 1 NC/1 NO contact, type Zb  |
| Connection                                | screw connection terminals  |
| Cable cross-section                       | 0.34 ... 2.5 mm <sup>2</sup> (incl. conductor ferrules)   |
| Cable entry                               | 1 x M20 x 1.5   |
| Rated impulse withstand voltage $U_{imp}$ | 6 kV  |
| Rated insulation voltage $U_i$            | 500 V   |
| Conventional thermal current $I_{the}$    | 10 A  |
| Utilisation category                      | AC-15; DC-13  |
| Rated operating current/voltage $I_e/U_e$ | AC: 24 V-10 A/120 V-6 A/400 V-4 A<br>DC: 24 V-6A/125 V-0.55 A/250 V-0.4 A<br>Minimum electrical load: 5 V/10 mA       |
| Short-circuit protection                  | 10 A gG/gL fuse   |
| Conditional short-circuit current         | 1000 A  |
| Operation cycles                          | max. 1800/h   |
| Mechanical life                           | > 1 million operations  |
| Ambient temperature                       | -30 °C ... +70 °C   |

Errors and omissions excepted.



Position switch  
ES 97 TK 11  
Material number: 1213137

## Technical data

### Approvals



## Chemical resistance

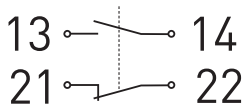
Enclosure material resistant to:

oil and petrol, alcohol, animal fats and oils, vegetable fats and oils, silicone oils, surfactants, detergents, water vapour, salt water, organic acids (citric acid, benzoic acid)

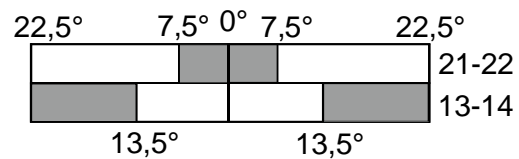
Enclosure material not resistant to:

mineral acids (concentrated hydrochloric acid, battery acid, sulphuric acid, nitric acid)

## Contact diagram



## Switching diagram



Errors and omissions excepted.