



## Ex safety switch with separate actuator Ex ES 97 AZ-11-3G/D Material no.: 1343144

### Product features

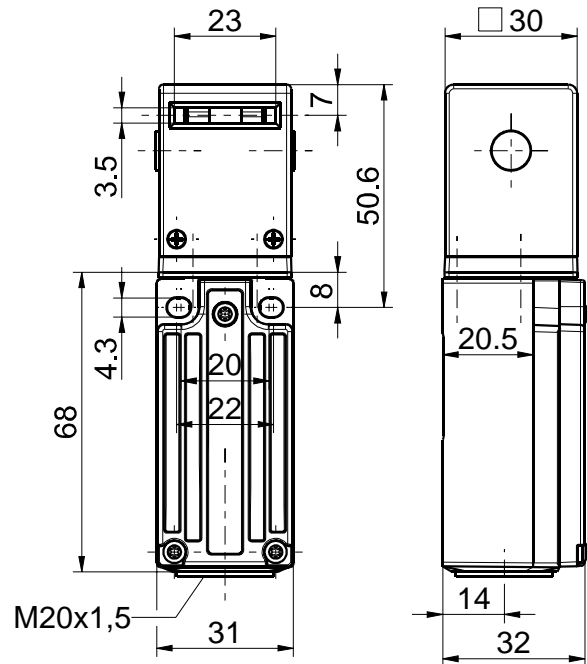


- Ex zone 2 and 22
- Thermoplastic enclosure, double insulated
- High degree of protection IP66 / IP67
- Mounting details to EN 50047
- Wiring compartment

#### Notes

- 1 Ex"e" cable gland M20x1.5 included in delivery
- The actuator is not included in the delivery of the switches

### Dimensions



### Technical data

#### Applied standards

EN 60947-5-1, EN IEC 60079-0, EN 60079-1, EN IEC 60079-7, EN 60079-31, EN ISO 13849-1, EN ISO 14119

#### Enclosure

thermoplastic, glass-fibre reinforced, shockproof, self-extinguishing UL 94 V-0

#### Cover

thermoplastic, glass-fibre reinforced, shockproof, self-extinguishing UL 94 V-0

#### Sealing

silicone

#### Switch type

type 2

#### Coding level

low coding

#### Degree of protection

IP66 / IP67 (EN 60079-0 + IEC/EN 60529)

#### B<sub>10d</sub> (10 % load)

2 million

#### T<sub>M</sub>

max. 20 years

#### Contact material

silver

#### Switching system

slow action, positive break NC contacts  $\ominus$

#### Switching elements

1 NC/1 NO contact, type Zb

#### Connection

screw connection terminals

#### Cable cross-section

min. 0.75 mm<sup>2</sup> (AWG 18), max. 1.5 mm<sup>2</sup> (AWG 16), incl. conductor ferrules

#### Cable entry

M20 x 1.5; screwing depth max. 9 mm; use only Ex approved and certified cable glands with min. degree of protection IP66/ IP67 and suitable for the specified ambient temperature range

#### Rated impulse withstand voltage U<sub>imp</sub>

4 kV

#### Rated insulation voltage U<sub>i</sub>

250 V

#### Rated operating current/voltage I<sub>e</sub>/U<sub>e</sub>

max. 3 A or 6 A / max. 250 V

Errors and omissions excepted.



## Ex safety switch with separate actuator Ex ES 97 AZ-11-3G/D Material no.: 1343144

### Technical data (contd.)

---

#### Utilisation category

AC-15

#### Mechanical life

> 1 million operations

#### Impact energy

max. 4 J

#### Temperature class

T6

#### Ambient temperature

-20 °C ... +45 °C max. 6 A,

-20 °C ... +60 °C max. 3 A

#### Short-circuit protection

3 A / 6 A gG/gN fuse

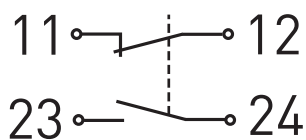
#### Ex marking

Ⓢ II 3G Ex dc ec IIC T6 Gc X,

Ⓢ II 3D Ex tc IIIC T80 °C Dc X

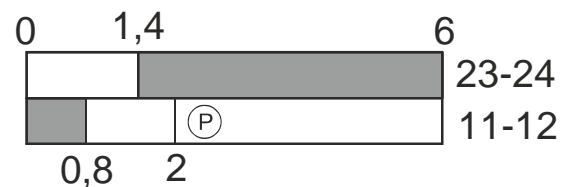
### Contact diagram

---



### Switching diagram

---



Ⓟ Positive break travel/angle

#### Note

Inserted position of actuator = 0 in switching diagram.  
The actuator is not included with the switches.