



Emergency grab-wire switch Extreme ZS 92 S 22 VD L F1 KST -40°C+70°C IP66/67 Extreme Material number: 1403975

Features/Options:

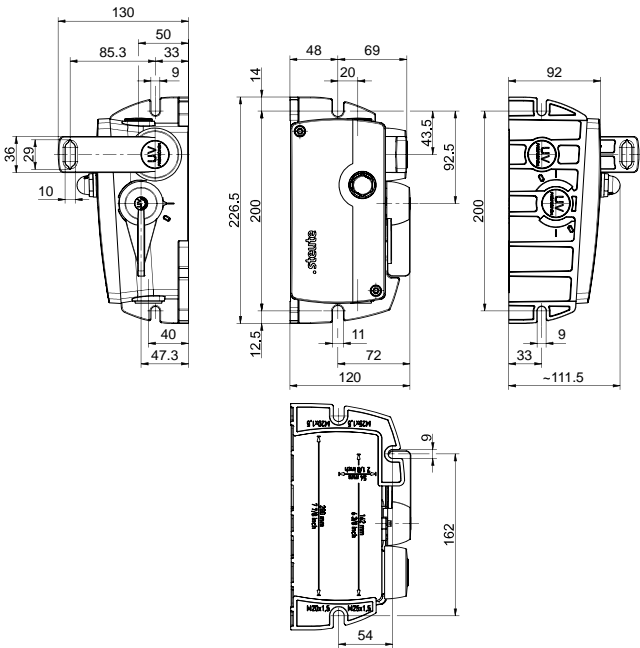
- Temperature resistant from -40 °C to +70 °C
- High degree of protection IP 66 / IP 67
- Thermoset enclosure
- Screws made of stainless steel
- Wire length up to 2 x 100 m

- Release by lever
- F1 = Blue reset lever on front side (left)
- Back and base mounting possible
- Wire pull and breakage detection
- Indicator lamp 24 VAC/DC (red)

Notes

- At 3 m distance intermediate wire supports are required. Two compensation springs type ZS 90/91/92 S must be installed, see accessories.

Dimensions



Technical data

Applied standards	EN 60947-5-1, EN 60947-5-5, EN ISO 13850, EN ISO 13849-1, EN 620:2011-5.7.2.9, AS 1755-2000-2.7.9.1, AS/NZS 4024.3610:2015-2.10.6.2
Enclosure	thermoset, grey, similar to RAL 7035
Cover	thermoset, enamel finish, yellow, similar to RAL 1012
Actuating lever	thermoset, signal red, similar to RAL 3001
Reset lever	thermoset, sky blue, similar to RAL 5015
Screws	stainless steel
Calotte	polycarbonate, impact resistant, self-extinguishing UL 94 V-0, red transparent, similar to RAL 3000
Tightening torque	cover screws: max. 2.5 Nm
Degree of protection	IP 66/67 to IEC/EN 60529
B _{10d} (10 % load)	100 000
T _M	max. 20 years
Safety class	II
Switching elements	2 NC/2 NO contacts, type Zb
Switching system	snap action, positive break NC contacts \ominus
Connection	screw connection terminals indicator lamp: wire 2 x 0.9 mm ² , AWG 18, wire length approx. 150 mm, with conductor ferrules
Cable cross-section	0.34 ... 2.5 mm ² (incl. conductor ferrules)

Errors and omissions excepted.

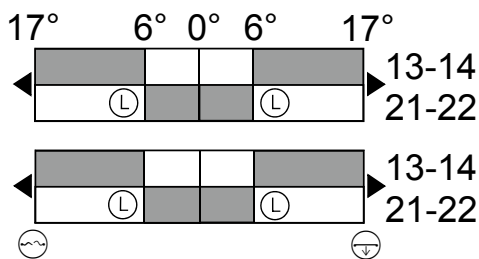


Emergency grab-wire switch Extreme ZS 92 S 22 VD L F1 KST -40°C+70°C IP66/67 Extreme Material number: 1403975

Technical data

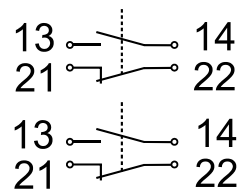
Cable entry	2 x M25 x 1.5
Rated impulse withstand voltage U_{imp}	6 kV
Rated insulation voltage U_i	500 V
Conventional thermal current I_{the}	10 A
Utilisation category	AC-15; DC-13
Rated operating current/voltage I_e/U_e	AC-15: 24 V-10 A/120 V-6 A/400 V-4 A DC-13: 24 V-6A/125 V-0.55 A/250 V-0.4 A Minimum electrical load: 5 V/10 mA
Conditional short-circuit current	1000 A
Short-circuit protection	10 A gG/gL fuse
Rated operating voltage range U_B	Indicator lamp: 24 VAC/DC +10/-15 %
Rated operating current I_e	Indicator lamp: ~ 15 mA
Mechanical life	> 50 000 operations
Max. wire length	2 x 100 m
Ambient temperature	-40 °C ... +70 °C
Degree of pollution	3
Actuating force	actuating lever approx. 30 N; reset lever approx. 40 N

Switching diagram



- Latching point
- Wire breakage detection
- Wire pull detection

Contact diagram



Errors and omissions excepted.



Emergency grab-wire switch Extreme
ZS 92 S 22 VD L F1 KST -40°C+70°C IP66/67 Extreme
Material number: 1403975

Type F1

