



Ex position switch Ex ES 97 DD-11-3G/D Material no.: 1423166

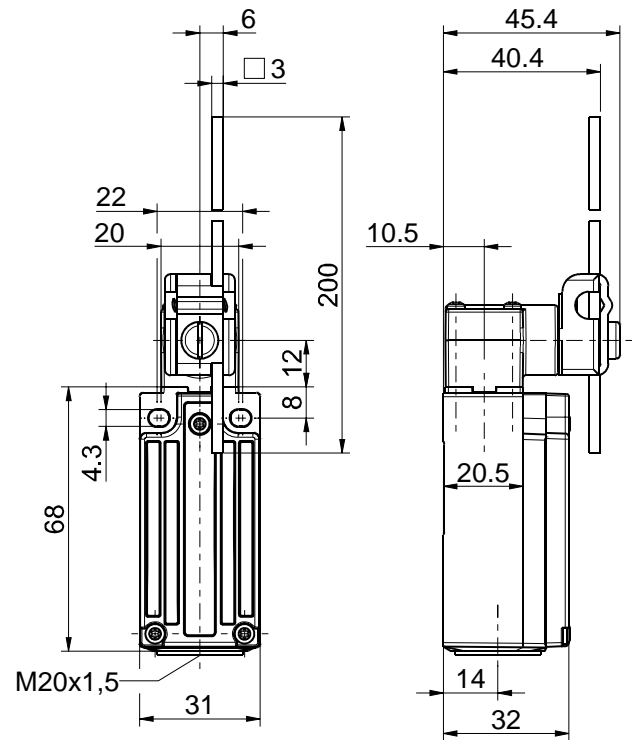
Product features

- Ex zone 2 and 22
- Thermoplastic enclosure
- High degree of protection IP66 / IP67
- Design to EN 50047
- Wiring compartment
- Double insulated
- Slow action
- Actuator can be repositioned by 4 x 90°
- Rocking lever can be repositioned by 10° steps
- Actuator: Rod lever DD

Notes

- 1 Ex"e" cable gland M20x1.5 included in delivery

Dimensions



Technical data

Applied standards

EN IEC 60079-0, EN 60079-1, EN IEC 60079-7, EN 60079-31, EN 60947-5-1, EN ISO 13849-1, EN ISO 14119

Enclosure

thermoplastic, glass-fibre reinforced, shockproof, self-extinguishing UL 94 V-0

Cover

thermoplastic, glass-fibre reinforced, shockproof, self-extinguishing UL 94 V-0

Sealing

silicone

Degree of protection

IP66 / IP67 (EN 60079-0 + IEC/EN 60529)

Contact material

Silver, nickel-plated

Switching system

slow action

Switching elements

1 NC/1 NO contact, type Zb

Connection

screw connection terminals

Cable cross-section

min. 0.75 mm² (AWG 18), max. 1.5 mm² (AWG 16), incl. conductor ferrules

Cable entry

M20 x 1.5; screwing depth max. 9 mm; use only Ex approved and certified cable glands with min. degree of protection IP66/ IP67 and suitable for the specified ambient temperature range

Utilisation category

AC-15

Rated operating current/voltage I_e/U_e

max. 3 A or 6 A / max. 250 V

Degree of pollution

3

Mechanical life

1 million operations

Impact energy

max. 4 J

Errors and omissions excepted.



Ex position switch Ex ES 97 DD-11-3G/D Material no.: 1423166

Technical data (contd.)

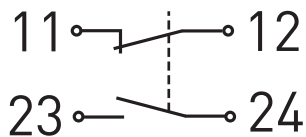
Temperature class
T6

Ambient temperature
-20 °C ... +45 °C max. 6 A,
-20 °C ... +60 °C max. 3 A

Short-circuit protection
3 A / 6 A gG/gN fuse

Ex marking
⊕ II 3G Ex dc ec IIC T6 Gc X,
⊕ II 3D Ex tc IIIC T80 °C Dc X

Contact diagram



Switching diagram

