

ROTACOD

Absolute multi turn encoders

Series

AM36 • AMC36



- Miniature optical multi turn encoder
- Resolution up to 524288 cpr (19 bit) x 4096 turns (12 bit)
- High degree of protection, IP67
- Cable output or M12 inline plug



AMC36 • AM36

ENVIRONMENTAL SPECIFICATIONS

Shock:	100 g, 6 ms
Vibrations:	10 g, 5-2000 Hz
Protection:	IP67, IP65 shaft side
Operating temperature range:	-25°C +85°C (-13°F +185°F)
Storage temperature range:	-40°C +100°C (-40°F +212°F) (98% R.H.without condensation)
Option:	• Operating temperature range: -40°C + 100°C (-40°F +212°F)

MECHANICAL SPECIFICATIONS

Dimensions:	see drawing
Shaft diameter:	Ø 6 mm
Hollow shaft diameter:	Ø 6 mm
Shaft loading (axial, radial):	20 N max.
Shaft rotational speed:	6000 rpm
Starting torque (at 20°C):	0,1 Ncm
Bearings life:	10 ⁹ rev. min.
Electrical connections:	M12 inline plug or cable output 1 m (3.3 ft)
Weight:	~ 100 g (3,5 oz)
Option:	• additional cable

ELECTRICAL SPECIFICATIONS

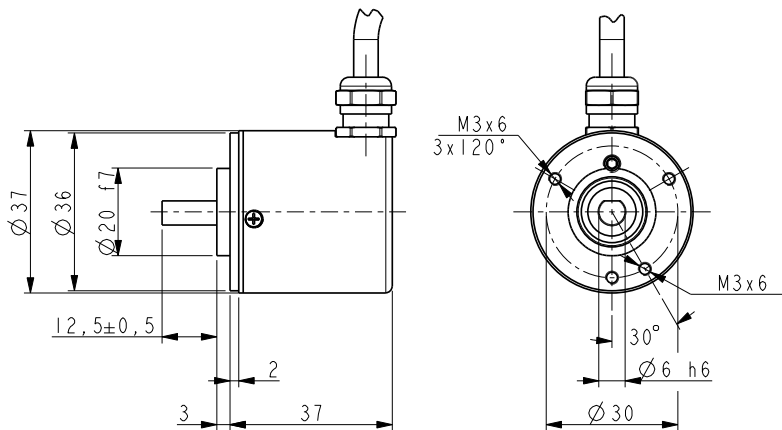
Resolution:	65536 cpr x 4096 turns, 524288 cpr x 4096 turns
Accuracy:	± 0,01° @ 16 bit resolution
Output circuits:	SSI (RS422), clock rate < 4 MHz BiSS-C, clock rate < 10 MHz
Output code:	Gray, Binary
Counting frequency:	> 100 kHz
Power supply:	+10V +30V
Power consumption:	0,5 W
Protection:	against inversion of polarity and short-circuit
EMC:	electro-magnetic immunity, according to EN 61000-4-2 EN 61000-4-4
Optoelectronic life:	> 100.000 h min.
Functions:	• Counting direction (input) • Zero setting/Preset (input)

MATERIALS

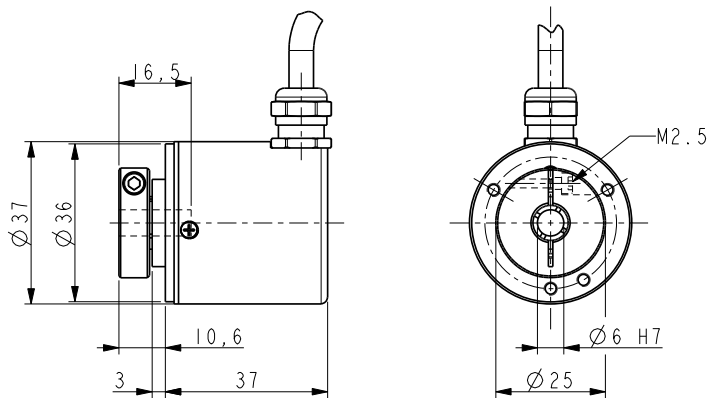
Flange:	anticorrosive, UNI EN AW-6082
Housing:	anticorrosive, UNI EN AW-6082
Bearings:	ABEC 5
Shaft:	stainless steel, non magnetic, UNI EN 4305

ACCESSORIES

PAN:	flexible couplings
EM12F8:	M12 8 pin mating connector



AM36



AMC36

Order code

AM36 AMC36	XX/XXXX (a)	XX (b)	-	X (c)	-	X (d)	XXX (e)	/Sxxx (f)
---------------	----------------	-----------	---	----------	---	----------	------------	--------------

(a) RESOLUTIONS

16/4096 = 65536 cpr x 4096 turns
19/4096 = 524288 cpr x 4096 turns

(b) OUTPUT

BG = Binary, SSI MSB aligned
GG = Gray, SSI MSB aligned
I7 = BiSS C-mode

(c) SHAFT DIAMETER

6 = 6 mm

(d) OPERATING TEMPERATURE RANGE

- = -25°C +85°C (-13°F +185°F) standard
K = -40°C +100°C (-40°F +212°F)

(e) CONNECTIONS

L1 = cable output 1 m
L2 = cable output 2 m
Lx = cable output x m
M0,5 = 0,5 m cable + M12 8 pin inline plug
M2 = 2 m cable + M12 8 pin inline plug

(f) CUSTOM VERSION