

- Absolute frameless encoder
- Precise optical sensing
- Singleturn resolution up to 22 bit
- Electronic multiturn counter
- BiSS-C/SSI interface + incremental track 1Vpp
- High temperature version on request

Applications:

- Servomotor feedback
- Robotics
- Drones/UAV
- Electromedical devices



AMM36

ENVIRONMENTAL SPECIFICATIONS

Shock:	250 g, 6 ms acc. to CEI EN 60068-2-27
Vibrations:	10 g, 5-2000 Hz acc. to CEI EN 60068-2-6
Protection:	IP00
Operating temperature range:	-25°C +85°C (-13°F +185°F) (-25°C +115°C, -13°F +239°F on request)
Storage temperature range:	-25°C +85°C (-13°F +185°F)

MECHANICAL SPECIFICATIONS

Dimensions:	see drawing
Hollow shaft diameter:	Ø6 mm
Shaft rotational speed:	10000 rpm max. (mechanical)
Axial shaft run-out:	±50 µm max.
Radial shaft run-out:	20 µm max.
Electrical connections:	PCB connector (connection cable to be ordered separately)
Weight:	< 20 g (0,70 oz) (without connection cable)

ELECTRICAL SPECIFICATIONS

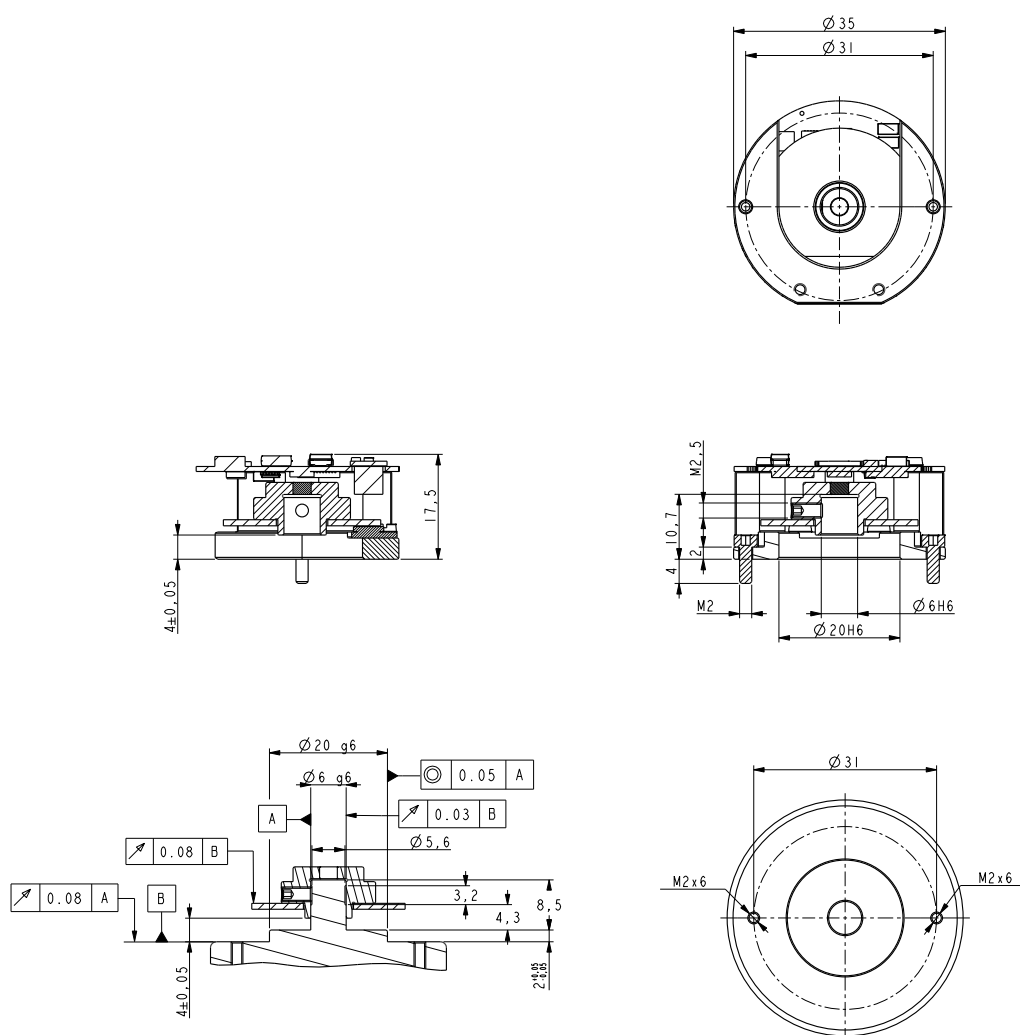
Resolution:	absolute: max. 22 bit (4194304 cpr) x 65536 rev. incremental: 256 PPR AB /AB
Accuracy:	< ±0,05° typ. (with standard disk) < ±0,01° typ. (with glass disk)
Output circuit:	BiSS-C (clock max. 10MHz) + 1Vpp AB /AB sin/cos SSI (clock 100 kHz ÷ 4MHz, Tp = 20µs) + 1Vpp AB /AB sin/cos RS485 (4 Mbit/s max.)
Counting frequency:	200 kHz max. (on 256 PPR incr. track) position refresh rate 5µs
Power supply:	+5Vdc ± 5% (multiturn counter backup: 3-6Vdc)
Power consumption:	0,5 W (multiturn counter backup: 30 µA max.)
EMC:	electro-magnetic immunity, EN 61000-4-2 EN 61000-4-4

MATERIALS

Encoder body:	anticorodal, UNI EN AW-6082
Disk hub:	UNI EN 4305

ACCESSORIES

EC-DF19-LK-TF12-xx:	Connection cable, xx m
PF5027:	Disk hub for AMM36 (spare part)
PF5028:	Glass disk hub (spare part)
PF5029:	Disk spacer tool



AMM36

AMM36 - Mounting requirements

Note:
 Precise alignment of the encoder is provided by the flange pilot (Ø20 mm) which guides the encoder module to the correct position on the mechanical interface.

Order code

AMM36	XX Ⓐ	/	XXX Ⓑ	XXX Ⓒ	-	X Ⓓ	-	XX Ⓔ	/Sxxx Ⓕ
-------	---------	---	----------	----------	---	--------	---	---------	------------

<p>Ⓐ RESOLUTION</p> <p>17 = 17 bit (131072 cpr) 21 = 21 bit (2097152 cpr) 22 = 22 bit (4194304 cpr)</p>	<p>Ⓑ REVOLUTION</p> <p>1 = singleturn 65K = 65536 turns</p>	<p>Ⓒ INTERFACE</p> <p>SC1 = BiSS-C + 1Vpp (5Vdc) BG1 = SSI, binary MSB aligned + 1Vpp (5Vdc) JP1 = RS485 (5Vdc)</p>	<p>Ⓓ SHAFT DIAMETER</p> <p>6 = 6 mm</p>	<p>Ⓔ CONNECTIONS</p> <p>X1 = Hirose flat connector (mating type: DF19-14-1C)</p>	<p>Ⓕ CUSTOM VERSION</p>
---	--	---	---	---	-------------------------