

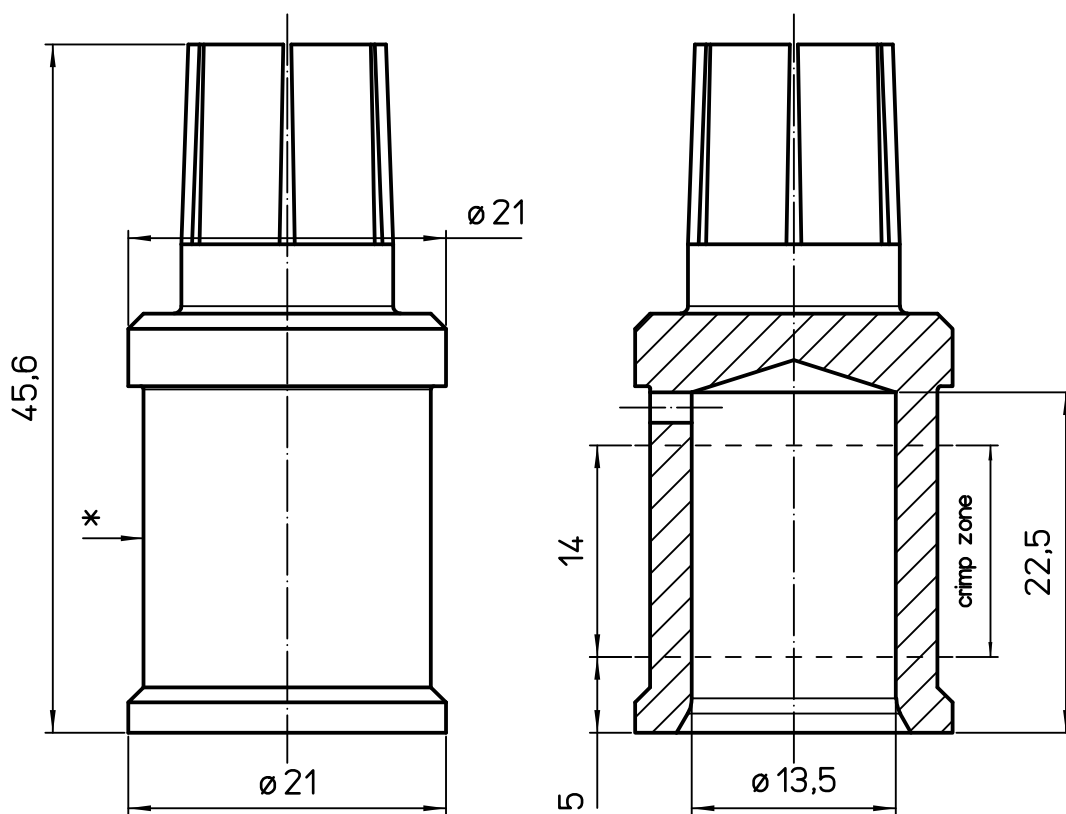
A

A

Diritti riservati All rights reserved

B

B



C

C

- \* number of crimps: 1
- assembly instructions see catalogue
- crimp zone according to DIN 46235; indicator MK 18
- for stranded wire according to IEC 60228 class 5
- stripping length: 22,5 mm

REV.	DATE	SIGNATURE

Dimensions  
in mm

Simplified representation with dimensions without tolerance

Original Size A4

Date 21/02/23

Sign. S.Diasparra

C30FA 95

Turned silver plated female crimp contact, 300 A, wire cross-section 95 mm<sup>2</sup> / AWG 3/0Scale  
2:1