



- Expansion flange for easy installation (plug&play)
- Pin compatible connector with market product
- 2048 PPR sine/cosine output
- CD-track for rotor/stator position
- Tapered shaft for precise installation
- Choice of additional fixing plates



CB62

ENVIRONMENTAL SPECIFICATIONS

Shock:	250 g, 6 ms acc. to CEI EN 60068-2-27
Vibrations:	10 g, 5-2000 Hz acc. to CEI EN 60068-2-6
Protection:	IP40
Operating temperature range:	-20°C+100°C (-4°F +212°F)
Storage temperature range:	-40°C+100°C (-40°F +212°F) (98% R.H. without condensation)

MECHANICAL SPECIFICATIONS

Dimensions:	see drawing
Shaft diameter:	solid, 1:10 taper
Shaft loading (axial, radial):	40 N max.
Shaft rotational speed:	10000 rpm max.
Starting torque at 20°C:	0,15 Ncm (typical)
Bearings life:	10 ⁹ rev. min.
Electrical connections:	PCB connector (connection cable to be ordered separately)
Weight:	~ 200 g (7 oz)

ELECTRICAL SPECIFICATIONS

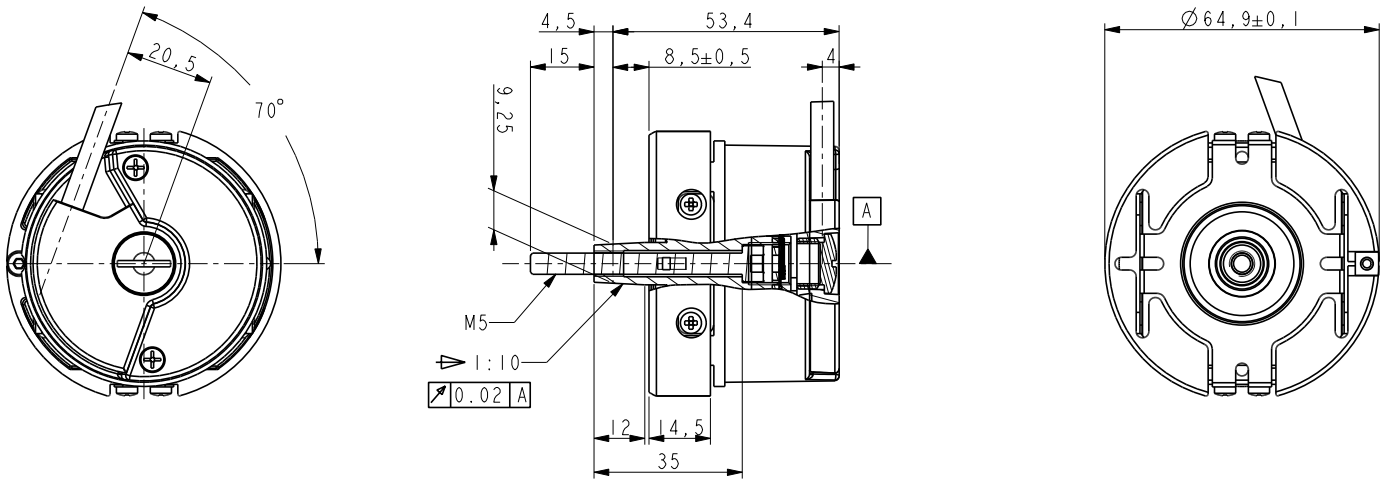
Resolution (PPR):	2048 + absolute CD-track
Counting frequency:	300 kHz max.
Output circuits:	1Vpp
Power supply:	+5V±5%
Consumption:	65 mA max.
Output current (each channel):	40 mA max.
EMC:	electro-magnetic immunity, according to: EN 61000-4-2 EN 61000-4-4

MATERIALS

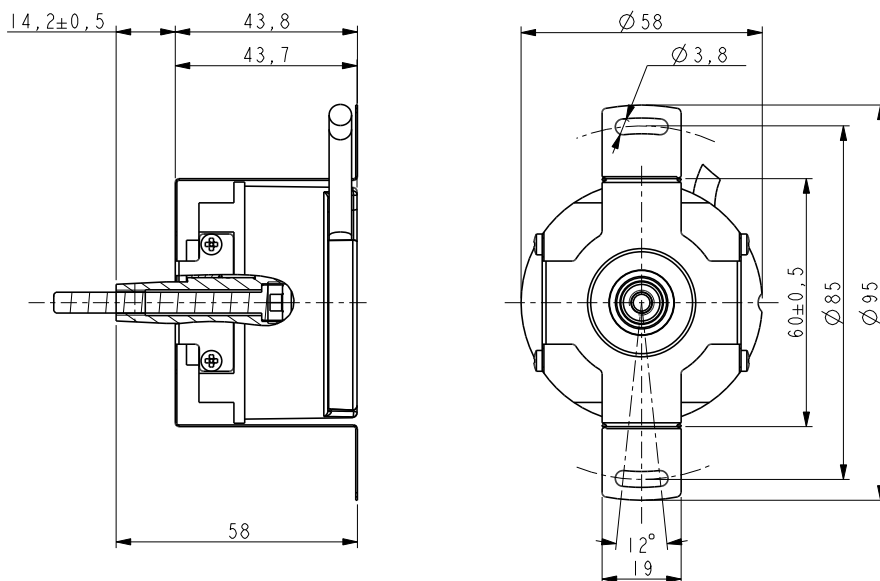
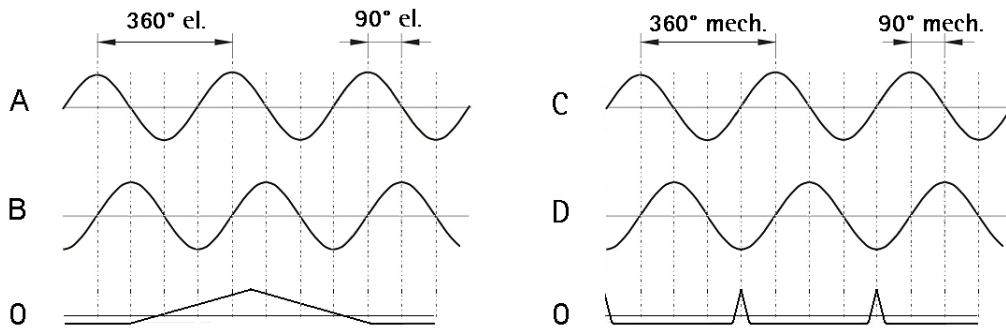
Flange:	aluminium, anticorodal, UNI EN AW-6082
Housing:	zamak 15, UNI EN1774
Bearings:	ABEC 5
Shaft:	stainless steel, non-magnetic - UNI EN 4305

ACCESSORIES

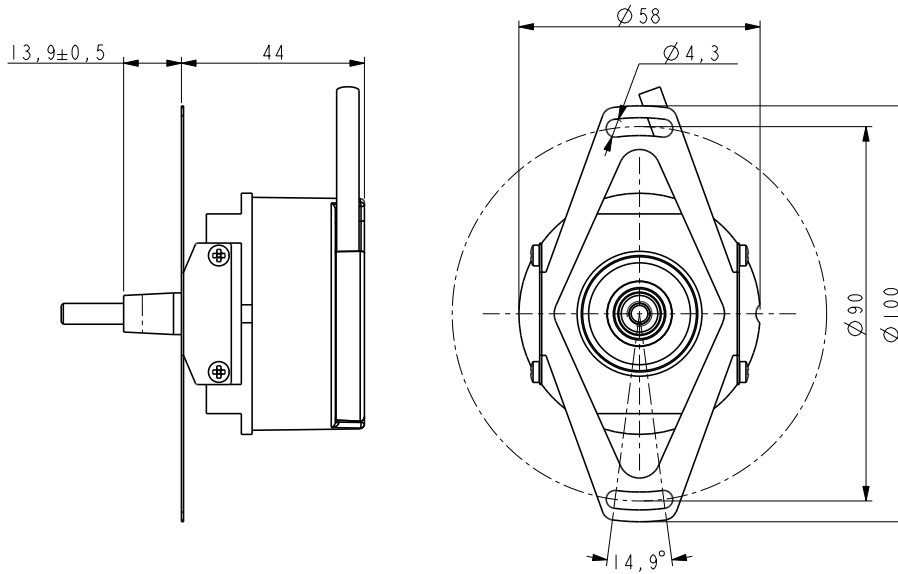
KIT MOL3255:	"B" fixing plate and screws
KIT MOL2311:	"D" fixing plate and screws
KIT MOL3035:	"E" fixing plate and screws
EC-ASB/CB62-010:	Connection cable 1 m
EC-ASB/CB62-040:	Connection cable 4 m
EC-ASB/CB62-050:	Connection cable 5 m
EC-ASB/CB62-070:	Connection cable 7 m
EC-ASB/CB62-100:	Connection cable 10 m



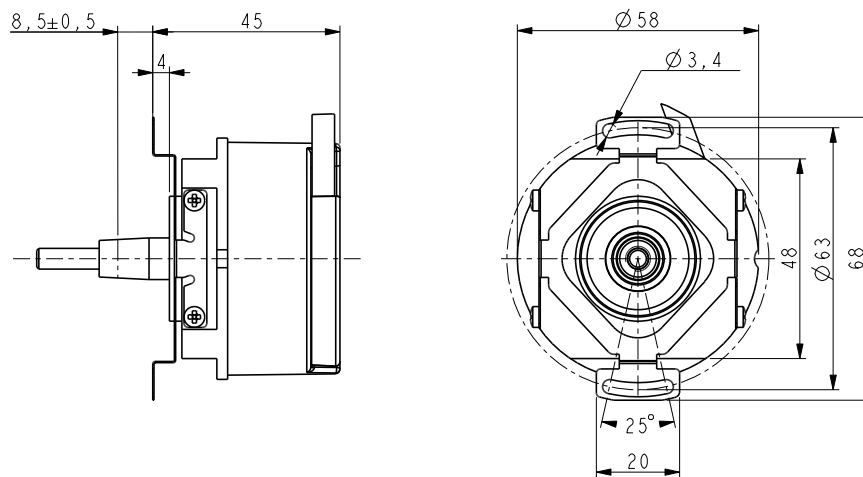
CB62



Version B (MOL3255)



Version D (MOL2311)



Version E (MOL3035)

Order code

Accessories order code

CB62	-	X ⓐ	-	XXXX/X ⓑ	X ⓒ	X ⓓ	/Sxxx ⓔ
------	---	--------	---	-------------	--------	--------	------------

EC	-	ASB/CB62	-	X
----	---	----------	---	---

ⓐ OUTPUT CIRCUIT
V1 = 1 Vpp sine/cosine, +5V ±5%

ⓒ SHAFT DIAMETER
C1 = 1:10 taper

ⓓ FIXING PLATE
A = expansion flange (standard)
B = version B fixing plate
D = version D fixing plate
E = version E fixing plate

ⓑ RESOLUTION (PPR)
2048/0 = 2048 PPR ABZ /ABZ
2048/1 = 2048 PPR ABZ /ABZ + CD track

ⓔ CUSTOM VERSION

EC-ASB/CB62-010 = Connection cable 1 m
EC-ASB/CB62-040 = Connection cable 4 m
EC-ASB/CB62-050 = Connection cable 5 m
EC-ASB/CB62-070 = Connection cable 7 m
EC-ASB/CB62-100 = Connection cable 10 m

Document release	Date	Description
1.0	October 2023	Order code update