


Part number

CQF 04/2E



Female insert, CQ series, crimp connection, 4 + 2 poles + PE, 40 A 400/690 V 6 kV 3 / 10 A 250 V 4 kV 3, size "32.13", with PE plate

Product description

Product type	Insert
Series	CQ
Connection type	Crimp connection
Gender	Female
N. of poles	4 poles + 
Auxiliary poles	2D
Size	Size "32.13"

Technical data

Current	40 A
Voltage	400 - 690 V
Rated impulse withstand voltage	6 kV
Pollution degree	3
Rated voltage according to UL/CSA	600 V
IP degree of protection	IP20 without enclosure, IP66/IP67/IP69 with enclosure

Further technical details

Characteristics according to EN 61984	40A 400/690V 6kV 3 (aux: 10A 250V 4kV 3)
Mating cycles	≥ 500
Insulation resistance	≥ 10 GΩ
Contact resistance	≤ 0,3 mΩ (4 P), ≤ 3 mΩ (2 P)
Weight	0,20 g
Operating temperature range (min, max)	-40 °C ... +125 °C
UL 94 flammability rating	V-0

Material properties

Main material	Polycarbonate (PC)
Colour	RAL 7032 grey
RoHs conformity	Compliant
China RoHs - EFUP	E
REACH SVHC substances	No

General ordering information

EAN13 code	8015747292351
eCl@ss 8.1	27440205
ETIM 7.0	EC000438

Packaging Information

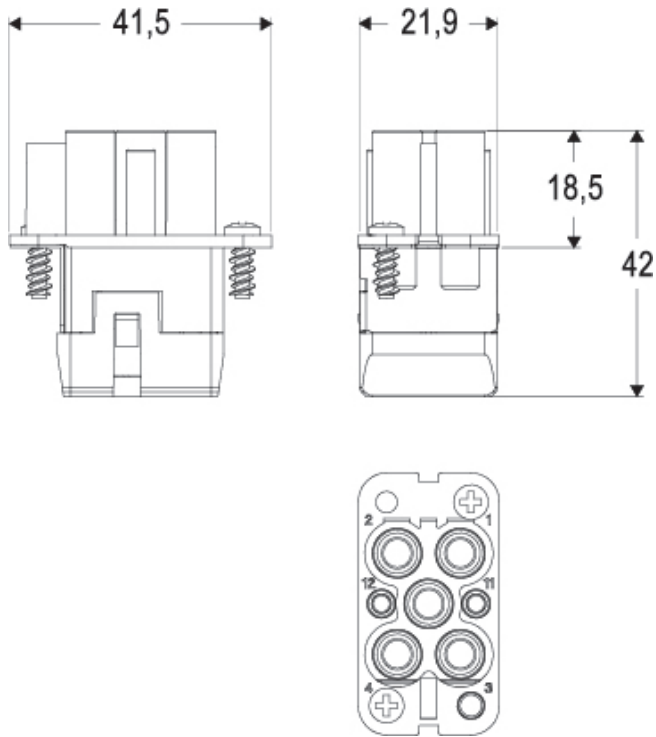
Packaging length	245,00 mm
Packaging height	165,00 mm
Packaging width	215,00 mm
Packaging volume	8,69 dm ³
Packaging description	Carton box
Packaging quantity	50 Pcs
Packaging EAN code	8015747292368
Sub-packaging description	Plastic bag
Sub-packaging quantity	1 Pcs
Sub-packaging EAN barcode	8015747300230

Part number

CQF 04/2E

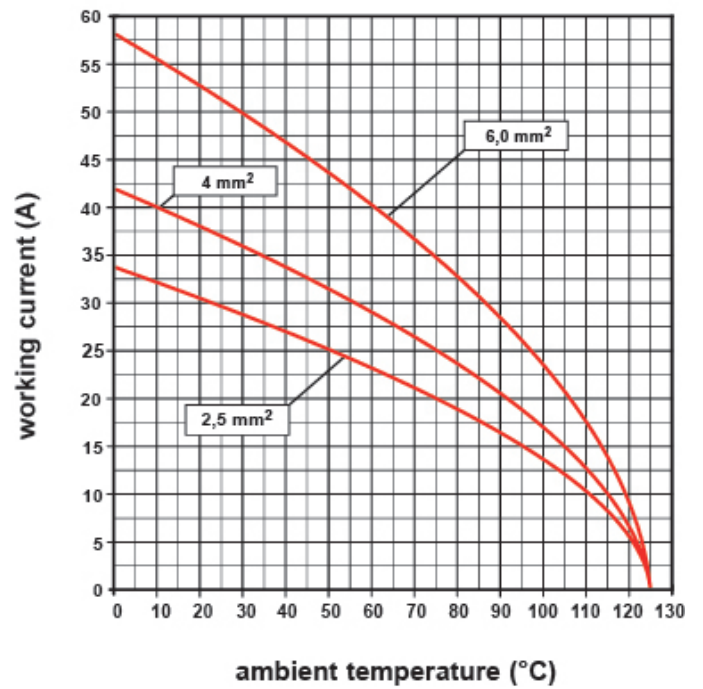


Catalogue drawings



Derating curves

CQ 04/2E, 04/2 power poles connector inserts
Maximum current load derating diagram



Notes

AVAILABLE FROM: MARCH 2023

Dimensions shown in mm are not binding and may be changed without notice.