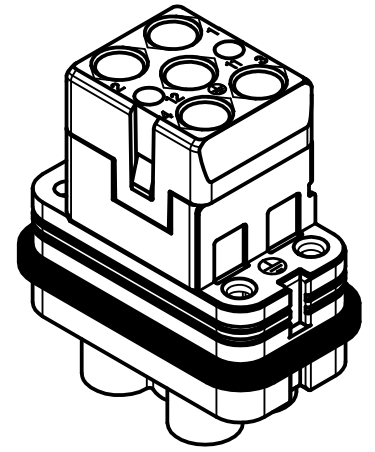
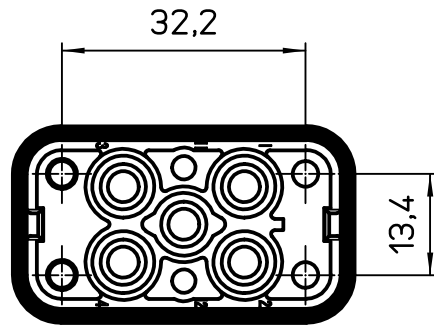
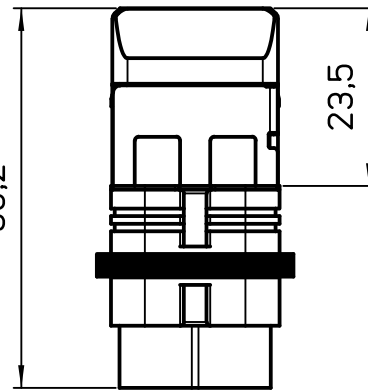
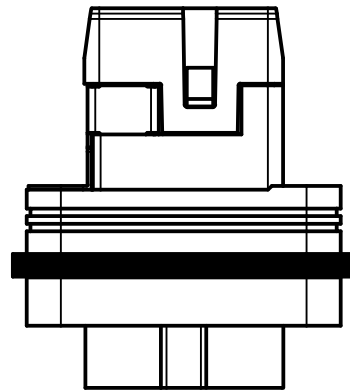


A



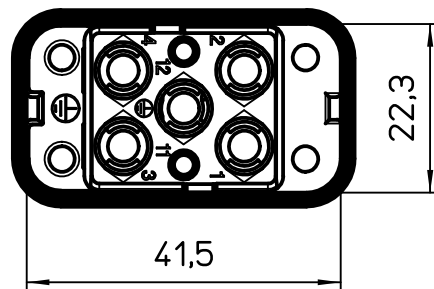
A

B



B

C



C

Diritti riservati All rights reserved

REV.	DATE	SIGNATURE		
Dimensions in mm		Simplified representation with dimensions without tolerance		
Original Size A4		CQM 04/2E		Scale 1:1
Date 19/01/23		Male insert, crimp with additional PE plate, 4P (40A 400/690V) + 2P (10A 250V) + PE		
Sign. S.Diasparra				

