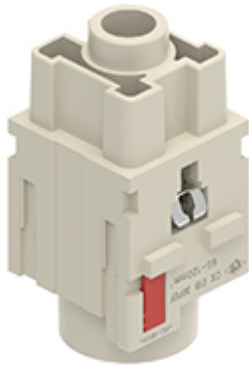


Part number

CX 01B 30PEF



Female modular insert, Mixo series, 300 A, crimp connection, 1 PE pole, 2 modules, PE module for earth termination

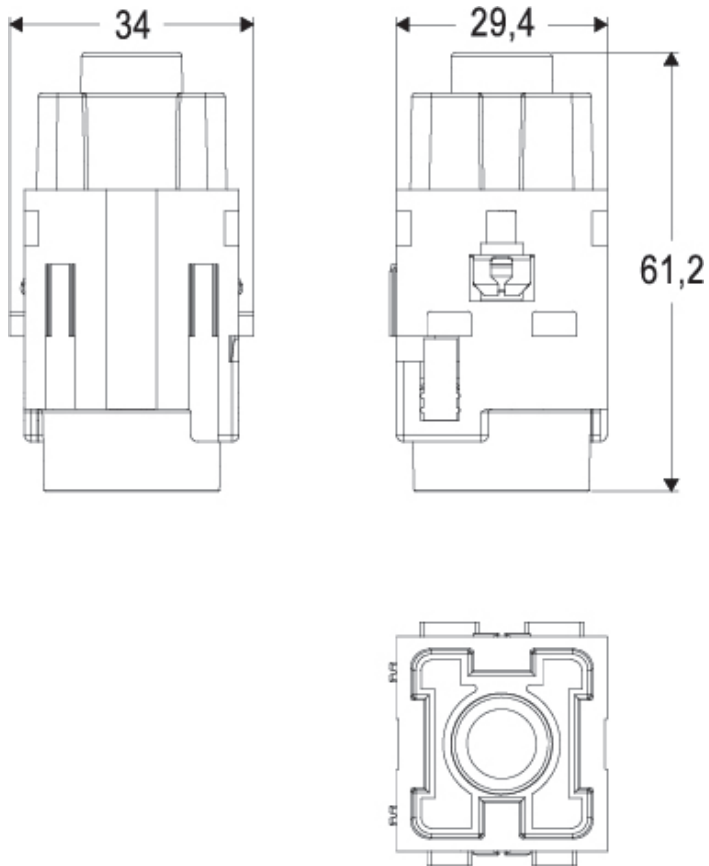
Product description		Material properties	
Product type	Modular insert	Main material	Polycarbonate
Series	Mixo	Colour	RAL 7032 grey
Connection type	Crimp connection	RoHs conformity	Compliant
Gender	Female	China RoHs - EFUP	E
N. of poles	1 PE pole	REACH SVHC substances	No
Size	2 modules	General ordering information	
Specification	For C30 contacts (95-120 mm) PE module for earth termination	EAN13 code	8015747289856
Technical data		eCl@ss 8.1	27440205
Current	300 A	ETIM 7.0	EC000438
Rated voltage according to UL/CSA	600 V	Packaging Information	
IP degree of protection	IP20 without enclosure, IP65/IP66/IP68/IP69 with enclosure	Packaging length	112,00 mm
Further technical details		Packaging height	95,00 mm
Mating cycles	≥ 500	Packaging width	117,00 mm
Insulation resistance	≥ 10 GΩ	Packaging volume	1,24 dm ³
Contact resistance	≤ 0,2 mΩ	Packaging description	Carton box
Weight	2,00 g	Packaging quantity	5 Pcs
Operating temperature range (min, max)	-40 °C ... +125 °C	Packaging EAN code	8015747290029
UL 94 flammability rating	V-0	Sub-packaging description	Plastic bag
		Sub-packaging quantity	1 Pcs
		Sub-packaging EAN barcode	8015747290036

Part number

CX 01B 30PEF



Catalogue drawings



Notes

AVAILABLE FROM: JUNE 2023

the modular inserts must be installed in suitable frames which in turn are installed in traditional housings or COB panel support

Dimensions shown in mm are not binding and may be changed without notice.
