

Part number

CX 8.0 MPQM



Male pneumatic metal contact, straight, quick-fitting, without shut-off valve, outer diameter 8,0 mm

Product description

Product type	Pneumatic contact
Gender	Male
Specification	Straight, quick-fitting Without shut-off valve, outer diameter 8 mm

Further technical details

Weight	0,50 g
---------------	--------

Material properties

Main material	Nickel plated brass
Other materials	Polyamide (PA)
RoHs conformity	Compliant with exemption 6(c): copper alloy containing up to 4% lead by weight
China RoHs - EFUP	50
REACH SVHC substances	Yes Lead

General ordering information

EAN13 code	8015747289719
eCl@ss 8.1	27440204
ETIM 7.0	EC000796

Packaging Information

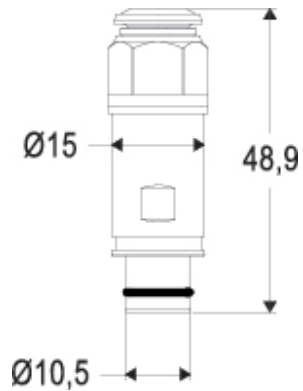
Packaging length	112,00 mm
Packaging height	95,00 mm
Packaging width	117,00 mm
Packaging volume	1,24 dm ³
Packaging description	Carton box
Packaging quantity	20 Pcs
Packaging EAN code	8015747289726
Sub-packaging description	Plastic bag
Sub-packaging quantity	2 Pcs
Sub-packaging EAN barcode	8015747289733

Part number

CX 8.0 MPQM



Catalogue drawings



Notes

AVAILABLE FROM: JUNE 2023

California Proposition 65 Information



WARNING

This product can expose you to nickel compounds, known to the State of California to cause cancer and/or reproductive toxicity. For more information go to www.P65Warnings.ca.gov.

Dimensions shown in mm are not binding and may be changed without notice.