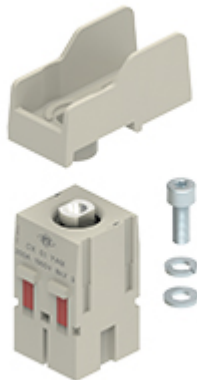


Part number

CX 01 YAM



Male modular insert, Mixo series, screw terminal connections - 90° angled for cable lug, 1 pole, 2 modules, 200 A 1000 V 8 kV 3

Product description

Product type	Modular insert
Series	Mixo
Connection type	Screw terminal connection
Gender	Male
N. of poles	1 pole
Size	2 modules
Specification	Angled

Technical data

Current	200 A
Voltage	1000 V
Rated impulse withstand voltage	8 kV
Pollution degree	3
Rated voltage according to UL/CSA	600 V
Contact type	Turned silver plated
IP degree of protection	IP20 without enclosure, IP65/IP66/IP68/IP69 with enclosure

Further technical details

Insulation resistance	≥ 10 GΩ
Contact resistance	≤ 3 mΩ
Weight	84,50 g
Operating temperature range (min, max)	-40 °C ... +125 °C
UL 94 flammability rating	V-0

Material properties

Main material	Polycarbonate
Other materials	Contacts: copper alloy
Colour	RAL 7032 grey
RoHs conformity	Compliant with exemption 6(c): copper alloy containing up to 4% lead by weight
China RoHs - EFUP	50
REACH SVHC substances	Yes Lead

General ordering information

EAN13 code	8015747284400
eCl@ss 8.1	27440205
ETIM 7.0	EC000438

Packaging Information

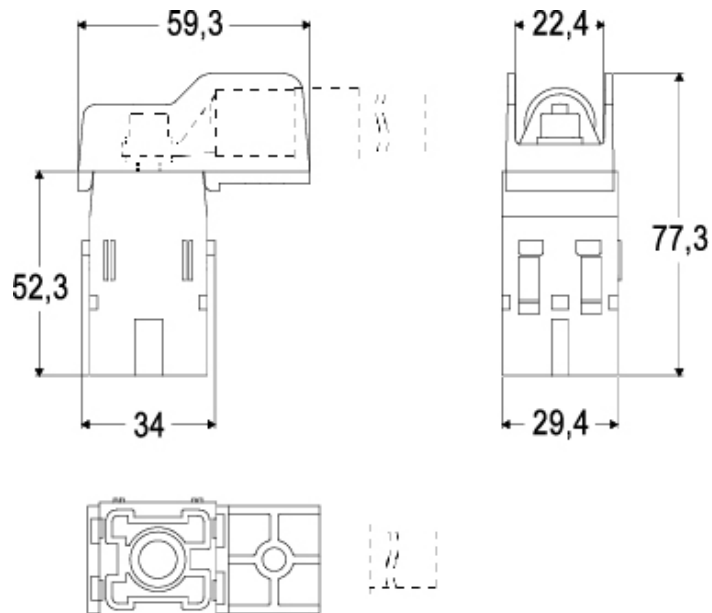
Packaging length	225,00 mm
Packaging height	130,00 mm
Packaging width	150,00 mm
Packaging weight	1,12 kg
Packaging volume	4,39 dm ³
Packaging description	Carton box
Packaging quantity	10 Pcs
Packaging EAN code	8015747284417
Sub-packaging weight	0,11 kg
Sub-packaging description	Plastic bag
Sub-packaging quantity	1 Pcs
Sub-packaging EAN barcode	8015747284424

Part number

CX 01 YAM



Catalogue drawings



Notes

the modular inserts must be installed in suitable frames which in turn are installed in traditional housings or COB panel support

Dimensions shown in mm are not binding and may be changed without notice.