

dHH Explosion-proof signal horn

- Loud, explosion-proof electromechanical signal horn with a typical horn tone
- Certified for use in gas and dust hazardous areas of zone 1, 2, 21, 22
- Flame-proof enclosure "d"
- Terminal connection chamber "increased safety e"
- Housing made of glass-fibre-reinforced plastic
- Degree of protection IP 66, max. 105 dB (A) in 1 m
- Protection class II, no equipotential bonding required
- robust design
- Model with integrated telephone-call current relay available

II 2 G Ex d e IIC T5, T6 Gb

II 2 D Ex tb IIIC T95 °C, T80 °C Db

-20 °C ≤ Ta ≤ +75 °C T5

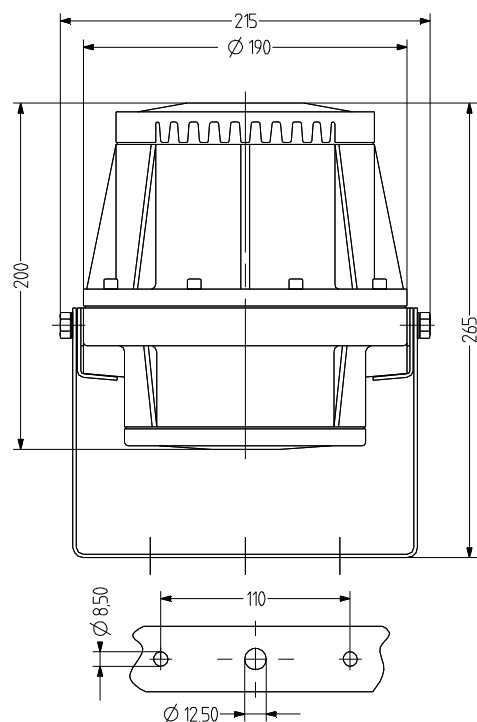
-20 °C ≤ Ta ≤ +70 °C T6

Zone 1, 2, 21, 22



TECHNICAL DATA

Housing	Ø 190 mm, glass-fibre-reinforced polyester black (RAL 9005)
Type of mounting	any with rotatable bracket mounting, sound outlet preferably at front or bottom
Cable entry	1× cable gland M20 × 1.5, 1× sealing plug M20 × 1.5
Connection technology	1.5 mm ² fine wire and 2.5 mm ² single wire
Tone	Steady tone
Volume	max. 105 dB
Duty cycle	100 %
Operating temperature	-20 °C / +75 °C [T5] -50 °C / +70 °C [T6]
Degree of protection	IP66
Approval	PTB 01 ATEX 1133
Insulation class	II
Weight	5,5 kg



dHH**ORDER DATA**

Type	Nominal voltage	Voltage range (V)	Nominal current (A)	Telephone call current relay	Order number
dHH	12 V AC	+ 10 %/- 15 %	1,200		300 000 104
	12 V DC	+ 10 %/- 15 %	0,600		300 000 004
	24 V DC	+ 10 %/- 15 %	0,300		300 000 005
	24 V AC	+ 10 %/- 15 %	0,650		300 000 105
	42 V AC	+ 10 %/- 15 %	0,300		300 000 107
	48 V DC	+ 10 %/- 15 %	0,170		300 000 008
	48 V AC	+ 10 %/- 15 %	0,350		300 000 108
	60 V AC	+ 10 %/- 15 %	0,250		300 000 109
	60 V DC	+ 10 %/- 15 %	0,150		300 000 009
	110 V DC	+ 10 %/- 15 %	0,080		300 000 010
	110 V AC	+ 10 %/- 15 %	0,150		300 000 110
	120 V AC	+ 10 %/- 15 %	0,150		300 000 211
	220 V DC	+ 10 %/- 15 %	0,050		300 000 013
	230 V AC	+ 10 %/- 15 %	0,070		300 000 113
	240 V AC	+ 10 %/- 15 %	0,070		300 000 213
dHHR	230 V AC	+ 10 %/- 15 %	0,070	with telephone call current relay	300 100 113

