

## dSD Explosion-proof LED signal beacon

- Certified for gas and dust hazardous areas of zone 1, 2, 21, 22
- Flame-proof enclosure "d"
- Terminal connection chamber "increased safety e"
- Housing made of copper-free seawater-resistant aluminium, hardened glass lens
- 5 LED colours, very good signalling effect
- All models with protection cage made of stainless steel

II 2 G Ex d e IIC T5, T6 Gb

II 2 D Ex tb IIIC T95 °C, T80 °C Db

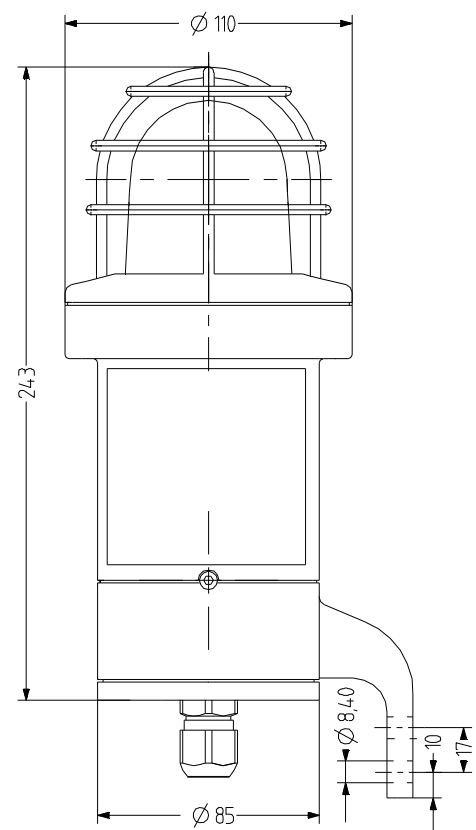
-55 °C ≤ Ta ≤ +55 °C

Zone 1, 2, 21, 22



### TECHNICAL DATA

Housing	Ø 110 mm, seawater-resistant aluminium, surface painted or powder-coated yellow/blue
Lens	tempered borosilicate glass,
Type of mounting	Bracket for wall mounting, any
Cable entry	Cable gland M20 × 1.5, sealing plug M20 × 1.5
Connection technology	1.5 mm <sup>2</sup> fine wire and 2.5 mm <sup>2</sup> single wire
Beacon type	LED steady beacon, LED flashing beacon, LED strobe beacon or LED all-round light
Light source	High Power LEDs
Luminous intensity	13–53 cd depending on colour
Speed of rotation	33/44 rpm switchable
Duty cycle	100 %
Operating temperature	-55 °C / +55 °C
Degree of protection	IP66 & IP67
Approval	PTB 03 ATEX 1230
Insulation class	III
Weight	2 kg



# dSD

## ORDER DATA

Type	Colour	Nominal voltage	Voltage range (V)	Nominal current (A)	Order number
dSD1	red	110-240 V AC	85-265	0,060-1,800	335 212 313
	blue	110-240 V AC	85-265	0,060-1,800	335 215 313
	green	110-240 V AC	85-265	0,060-1,800	335 216 313
	yellow	110-240 V AC	85-265	0,060-1,800	335 217 313
	clear	110-240 V AC	85-265	0,060-1,800	335 214 313
dSD2	red	24 V DC	+/- 20 %	0,190-1,600	335 212 005
		48 V DC	43-53	0,115-0,650	335 212 008
	blue	24 V DC	+/- 20 %	0,190-1,600	335 215 005
		48 V DC	43-53	0,115-0,650	335 215 008
	green	24 V DC	+/- 20 %	0,190-1,600	335 216 005
		48 V DC	43-53	0,115-0,650	335 216 008
	yellow	24 V DC	+/- 20 %	0,190-1,600	335 217 005
		48 V DC	43-53	0,115-0,650	335 217 008
clear	24 V DC	+/- 20 %	0,190-1,600	335 214 005	



MPL

## ACCESSORIES

Type	Type of accessory	Order number
MPL	Mounting plate including explosion-proof junction box	335 500 000