

Instruction User Manual Of Bracket Solution

--The guidance document of 2*Ultra-150A wall-mounted modules

- 1、Reserve 6 mounting holes for M8 expansion screws on the wall, and fix the bottom bracket and top bracket of the module to the wall with expansion screws.

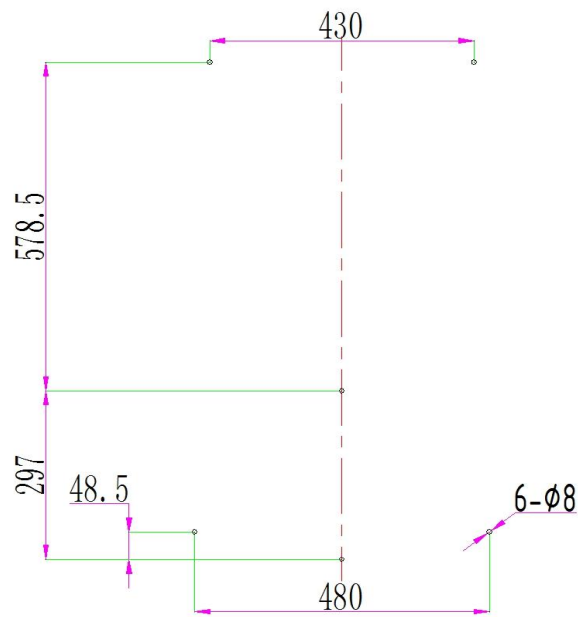


Figure 1 Installation position of screws

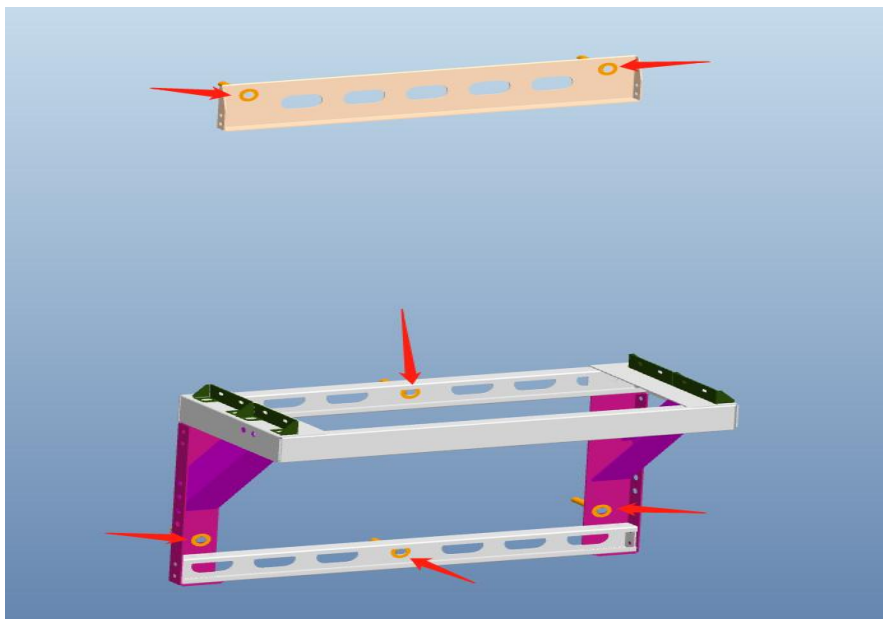


Figure 2 Fix spare parts

2、 Remove the countersunk head screws circled in red on the left and right sides of the module, detailed please the Figure 3;

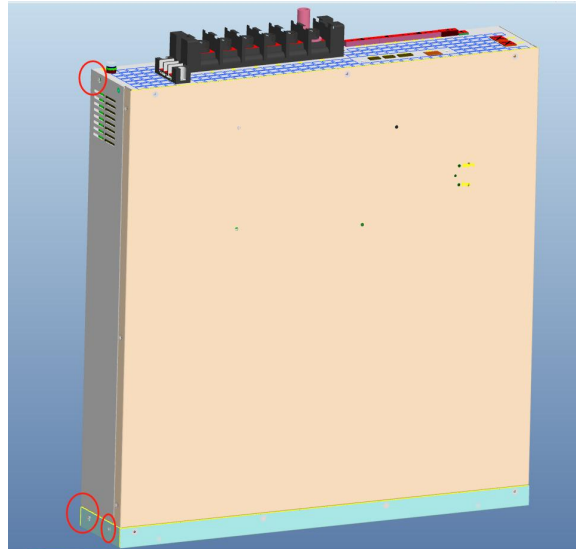


Figure 3 Remove the countersunk head screws

3、 Loosen the 4 mounting ear fixing screws on the left and right sides of the bracket, place the modules in order from front to back, and use 2 M4x12 cross-slot pan head combination screws on the left and right of each side chassis to fix the bracket mounting ears and the chassis (blue arrow);

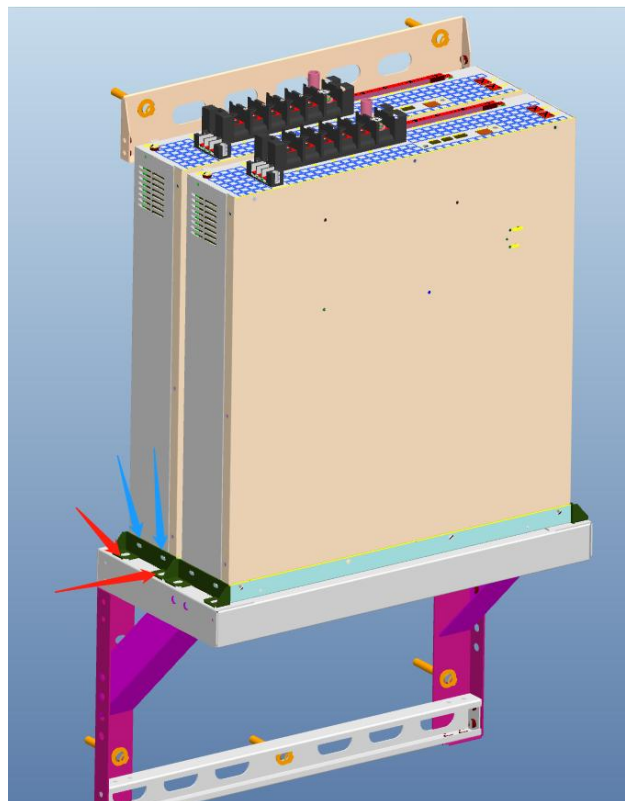


Figure 4 Modules installation

4、 Use 2 M6x16 cross-slotted external hexagonal combination screws on the left and right sides to fix the top bracket and the top wall-mounted bracket, and use 1 M4x12 cross-slotted pan-head combination screw on each side of each module to fix the bracket and module (see picture 5); Finally, tighten the fixing screws on the bottom mounting ears on the left and right sides to complete the fixation of the module body;

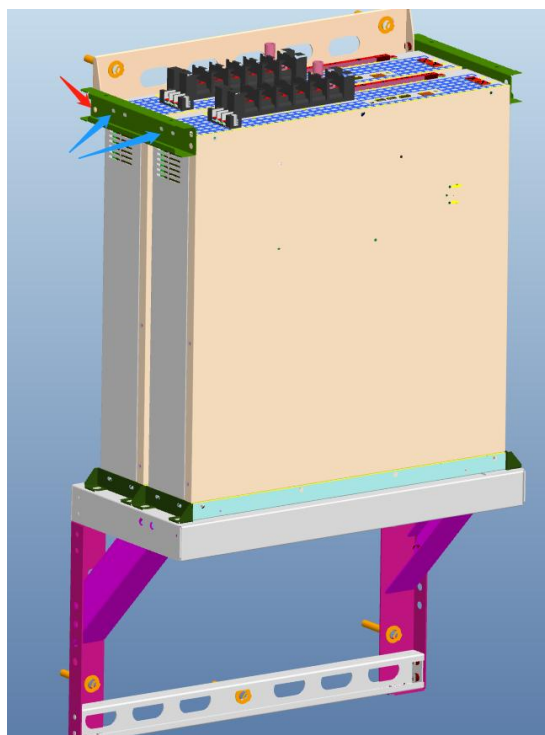


Figure 5 Fix the modules

5、 Pre-treat copper bar and insulating paper, install BCN 3-phase copper strip with M3x10 cross trough disc head combination screws and insulating paper according to Figure 6,7 and 8 respectively;

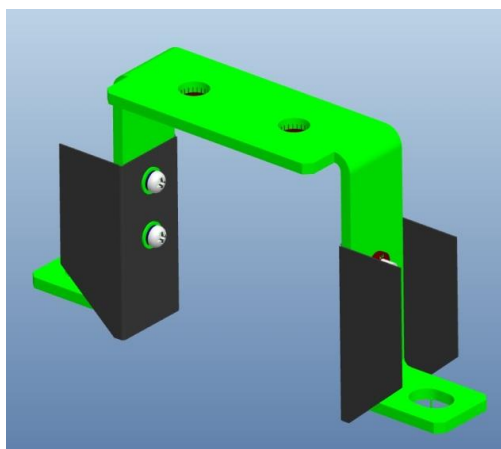


Figure 6

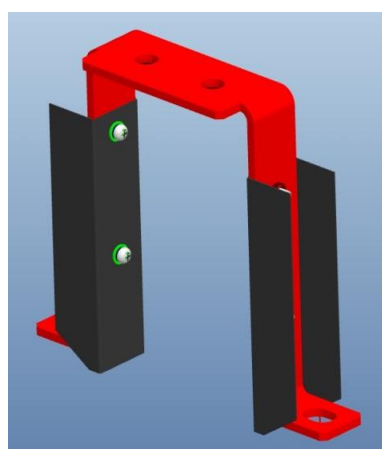


Figure 7

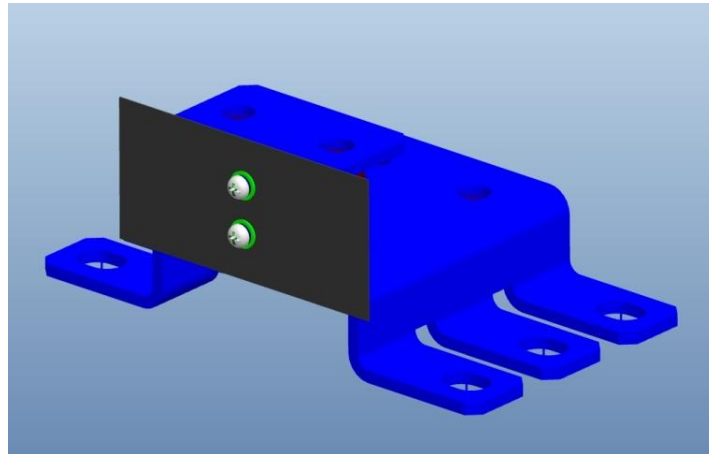


Figure 8

6、 Check the Figure 9 and fix the busbar and the terminal of the modules with the terminal equipped with screws to complete the installation of the busbar part;

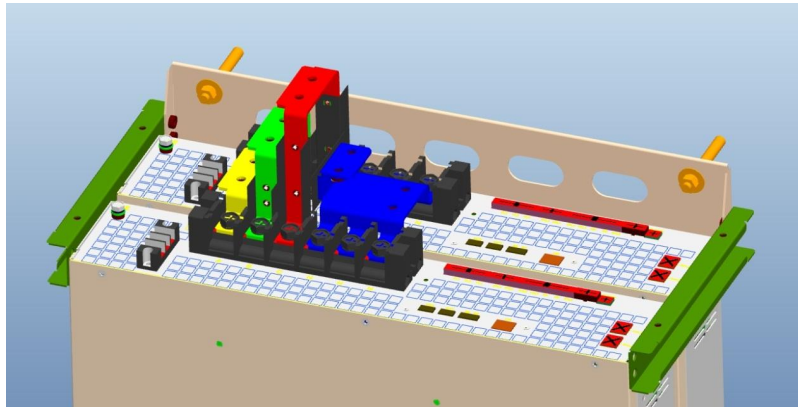


Figure 9

7、 Install the 7-inch HMI on the bracket according to the diagram to complete the installation of the monitor,

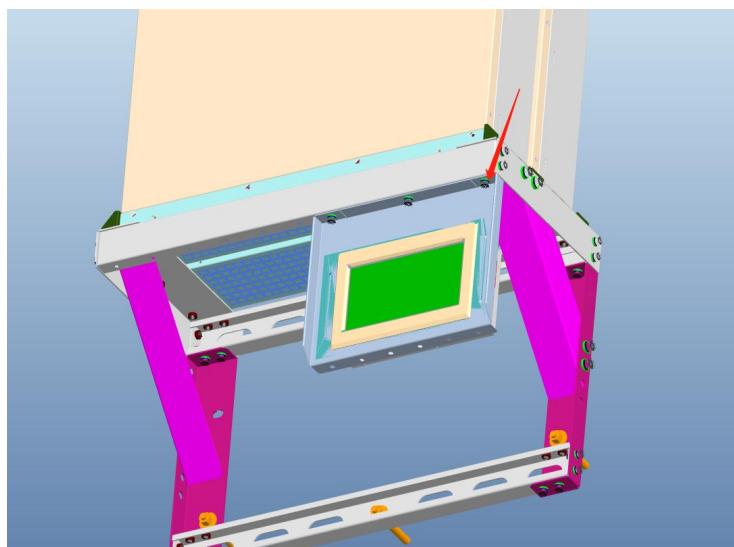


Figure 10

8、 Place the top cover in the position of Figure 11, and fix both ends with 2 M6x16 cross hexagonal combination screws; Fixed back to start the power line and signal line, L1/L2/L3 phase to the left two inlet holes, N phase and model line to the right two inlet holes;

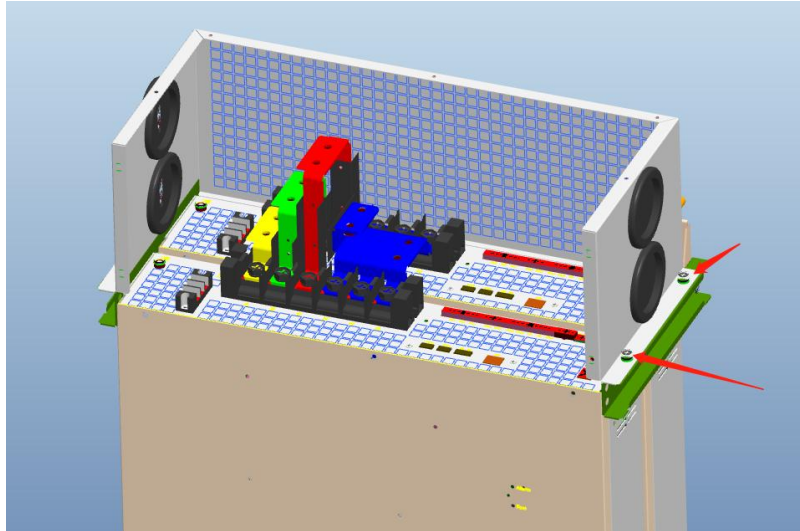


Figure 11

9、 After completing the wiring, install the top cover sealing plate, fix the front with 2 M4x10 hexagonal combination screws, fix the top with loose screw, and finish the installation;

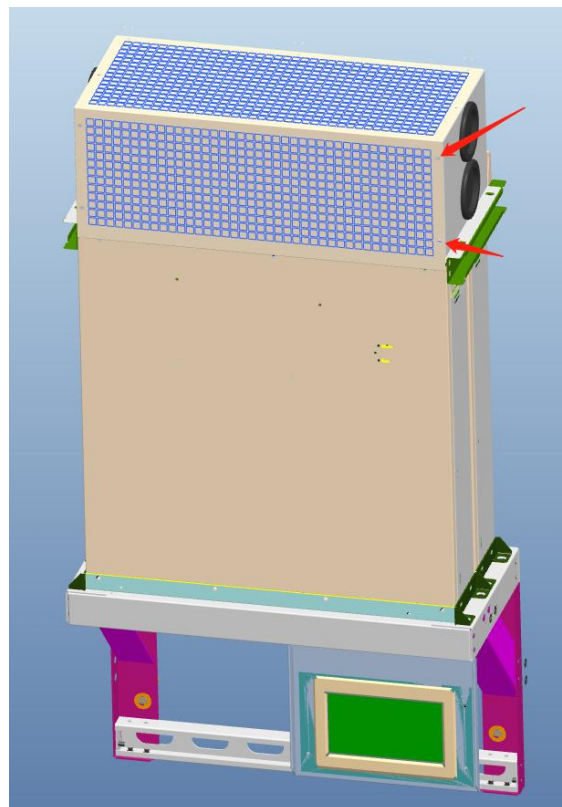


Figure 12