



## Capacitive Sensors Series 80 - PNP - StEx- ATEX

Housing G 1"

- For use in areas with the risk of dust explosion, zone 20
- Sensing distance 3...30 mm adjustable
- With flange connector M 12 x 1, 5-pin incl. protective wire pin

DMT 01 ATEX E 157

IECEX BVS 07.0015

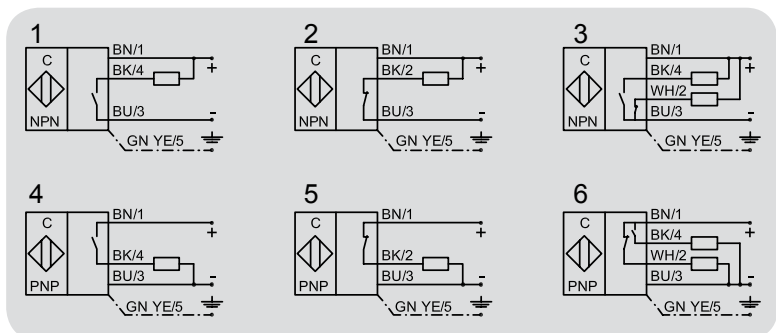
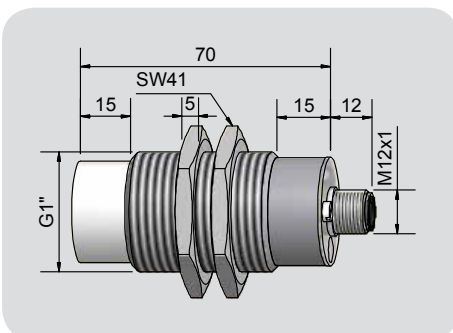
Ex II 1/2 D Ex ta/tb IIIC T101°C Da/Db

Ex ta/tb IIIC T101°C Da/Db



Technical data	Non-flush mountable
Operating distance $S_n$	20 mm
Operating distance min. / max. adjustable	3...30 mm
Electrical version	4-pin DC
Output function	Antivalent (NO + NC)
Type PNP	<b>KAS-80-34-A-G1"-Y10-StEx</b>
Art.-No.	<b>KA 1272</b>
Connection diagram No	6
Operating voltage ( $U_B$ )	10...30 V DC
Voltage drop max. ( $U_d$ )	≤ 2.0 V
Permitted residual ripple max.	10 %
Operating current ( $I_e$ )	2 x 0...150 mA
No-load current ( $I_o$ )	Typ. 15 mA
Frequency of operating cycles max.	50 Hz
Permitted ambient temperature	-20...+90 °C
LED-display	Green / yellow
Protective circuit	Built-in
Degree of protection IEC 529	IP 67*
Norm	EN 60947-5-2
Connection	Flange connector M 12 x 1
Housing material	Stainless steel VA No. 1.4305 / AISI 303
Active surface	PTFE (FDA 21 CFR 177.1550)
Lid	PC (FDA 21 CFR 177.1580)
Media optimized	Yes
Accessories (delivered with the sensor)	2 nuts G 1", Protective clip

\* With sealed potentiometer screw



**Made in Germany**