



Capacitive Sensors Serie 40 - NAMUR EN 60947-5-6

Housing M22

- For use in areas with the risk of dust explosion, zone 20
- For use in areas with the risk of gas explosion, zone 0
- Housing material: PTFE
- SIP / CIP 121 °C

DMT 03 ATEX E 048	IECEX BVS 07.0031
Ex II 1G Ex ia IIC T1-T6 Ga	Ex ia IIC T1-T6 Ga
Ex II 1D Ex ia IIIC T101°C Da	Ex ia IIIC T101°C Da

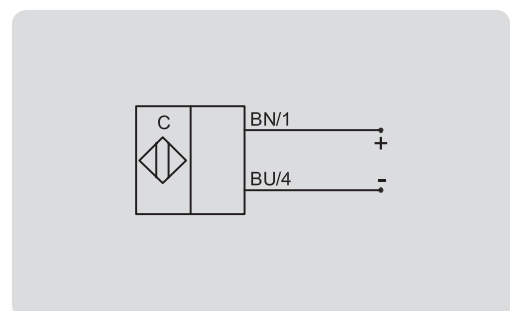
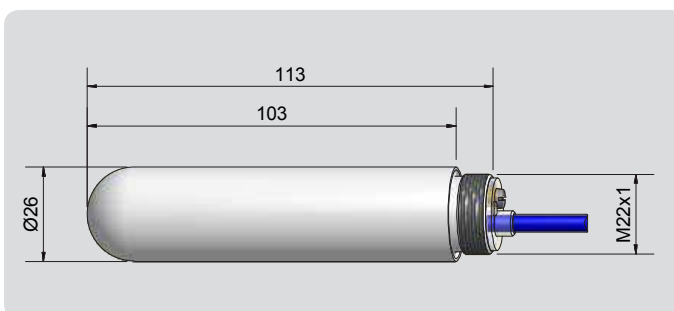


Technical data	Non-flush mountable
Level sensor, in contact with the product	Medium dependent adjustable
Operating distance min. / max. adjustable	0...15 mm
Electrical version	2-wire DC
Output	NAMUR DIN 60947-5-6
Type	KAS-40-26-N-K-PFM22-PTFE-StEx
Art. No.	KA 1410
Operating voltage (U_B)	5 - 15 V DC, $U_i = 15$ V DC
Output current active surface free	< typ. 1.5 mA
Output current active surface covered	> typ. 3 mA
Self-inductance (L)	0.2 mH
Self-capacitance (C)	250 nF
Permitted residual ripple max.	5 %
Frequency of operating cycles max.	50 Hz
Permitted ambient temperature	0...+70 °C / CIP 121 °C (zero-current)
LED-display	Yellow
Degree of protection IEC 60529	IP 67
Connection cable	2 m, PUR, 2 x 0.75 mm ²
Housing material	PTFE (FDA 21 CFR 177.1550)
Active surface	PTFE (FDA 21 CFR 177.1550)
Lid	PC
Media optimized	Yes
Accessories (supplied with the sensor)	O-Ring Viton PG 16
Accessories for mounting (not delivered with the sensor) please see our selection of accessories.	

Capacitive Sensors of the 26 series with hemispherical active surface for level control of products with a permittivity as of 1,1. Products can be:

- Bulk material, like plastic granules, powder, cereals, etc.
- Liquids, like water, juice, wine, oil, chemicals or pharmaceutical solutions and much more.
- Pastes in the food processing industry, liquid glue, resins or glue, etc.

All specifications are subject to change without notice. (02.03.2016)



Made in Germany

Capacitive Proximity Sensor

This capacitive sensor is designed for level control of liquids, pastes or bulk material in areas with risk of explosion: **ATEX Zone 0 (Gas) and Zone 20 (Dust)**.

The sensor body is modified for mounting in a stainless steel tube. This allows the user to make the measurement deeper in the tank.

The stainless steel tube has the article No. 196351 (with 400 mm in length)
The thread for the process connection is G1".
Triclamp and Varivent Adapter are also available.

Other tube length are available on request.

**Matching Ex barriers
can be offered
on request.**

