



Capacitive Sensors Series 80 - PNP

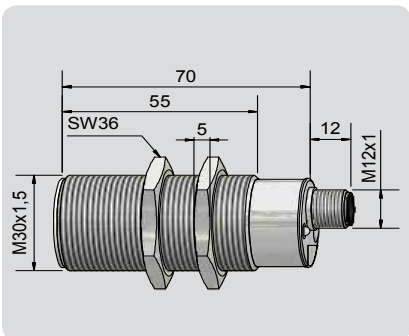
Housing M 30 x 1.5

- Housing material: Brass
- Sensing distance 0,5...25 mm adjustable
- With flange connector M 12 x 1
- Easy Teach Push Button



Technical data	Flush mountable
Operating distance S_n	10 mm
Operating distance min. / max. adjustable	0,5...25 mm
Electrical version	4-pin DC
Output function	Antivalent
Type PNP	KAS-80-A14-A-M30-PTFE/MS-Y5-ET-HP
Art.-No.	KA 1480
Operating voltage (U_B)	10...35 V DC
Voltage drop max. (U_d)	≤ 2.0 V
Permitted residual ripple max.	10 %
Operating current (I_e)	2 x 0...250 mA
No-load current (I_o)	Typ. 15 mA
Frequency of operating cycles max.	25 Hz
Permitted ambient temperature	-25...+70 °C
LED-display	Green / yellow
Protective circuit	Built-in
Degree of protection IEC 60529	IP 67
Norm	EN 60947-5-2
Connection	Flange connector M 12 x 1
Housing material	Brass
Active surface	PTFE (FDA 21 CFR 177.1550)
Lid	PA / PPO
Media optimized	Yes
Accessories (is delivered with the sensor)	2 nuts M 30 x 1.5
Accessories (not delivered with the sensor) For matching connectors please see our selection of accessories.	

All specifications are subject to change without notice. (09.06.2017)



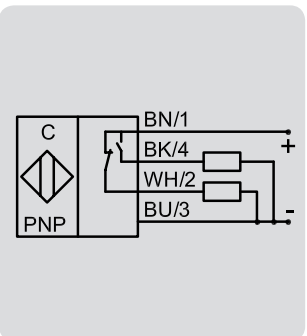
EasyTeach chart:

LED / output function

green = A1

yellow = A2

- Adjustment "empty"
- Initializing "empty"
- Adjustment "full"
- Initializing "full"
- Factory reset
- Test



Made in Germany