



Capacitive sensors Series 80 - PNP - StEx - ATEX

Housing G 1"

- For use in areas with the risk of dust explosion, zone 20
- Housing material PTFE

DMT 01 ATEX E 157

IECEx BVS 07.0015

Ex II 1/2 D Ex ta/tb IIIC T101°C Da/Db

Ex ta/tb IIIC T101°C Da/Db

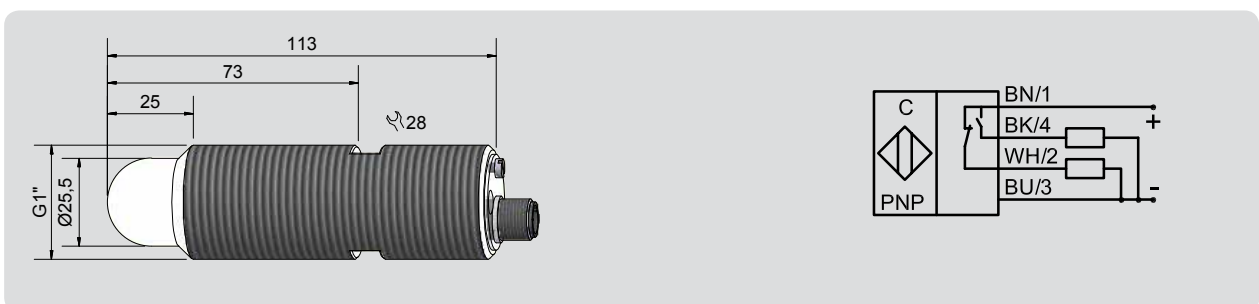


Technical data	Non-flush mountable
Level sensor, in contact with the product	Medium dependent adjustable
Operating distance min. / max. adjustable	0...20 mm
Electrical version	4 - wire DC
Output function	Antivalent
Type PNP current	KAS-80-26/113-A-G1-PTFE-Y5-1-HP-1/2D
Type PNP	KAS-80-26-A-K-G1"-PTFE-Y5-StEx
Art.-No.	KA 1501
Operating voltage (U_b)	10...30 V DC
Voltage drop max. (U_d)	≤ 2.0 V
Permitted residual ripple max.	10 %
Operating current (I_b)	2 x 0...150 mA
No-load current (I_o)	Typ. 15 mA
Frequency of operating cycles max.	50 Hz
Permitted ambient temperature	-25...+90 °C / CIP 121 °C
LED-display	Green / yellow
Protective circuit	Built-in
Degree of protection IEC 60529	IP 67*
Norm	EN 60947-5-2
Connection	Flange connector M 12 x 1 (A-coded)
Housing material	PTFE (FDA 21 CFR 177.1550)
Active surface	PTFE (FDA 21 CFR 177.1550)
Lid	PC (FDA 21 CFR 177.1580)
Media optimized	Yes
Accessories (delivered with the sensor)	Protective clip
Accessories (not delivered with the sensor): For varivent adapter (#196377), triclamp adapter (DN25 / DN32 / DN40 #196356, DN50 #196357), welding socket (#196355)	
Matching connectors (not delivered with the sensor)	#193210, #193230

Capacitive Sensors S26 with hemispherical active surface for level control of products with a dielectric constant ϵ_r from 1,1. Products can be:

- Bulk material, like plastic granules, powder, cereals, etc.
- Liquids, like water, juice, wine, oil, chemicals or pharmaceutical solutions and much more.
- Pastes in the food, pharmaceutical and cosmetics industry

All specifications are subject to change without notice. (18.02.2020)



* With sealed potentiometer screw

Made in Germany