

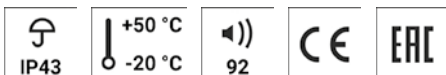
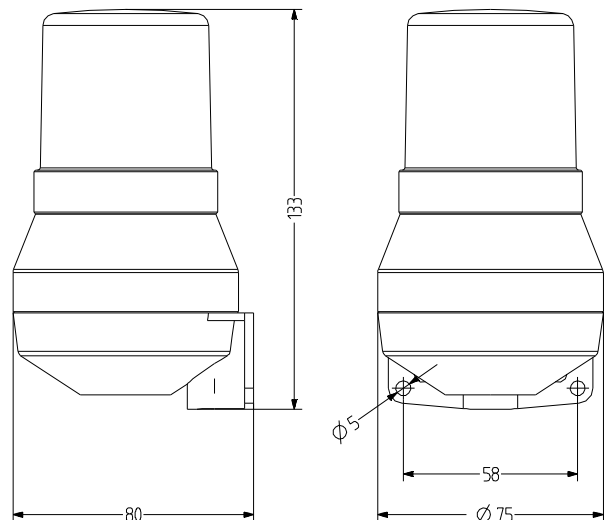
# KDL Mini horn signal beacon

- Well-designed electromechanical horn combined with steady/LED steady or LED flashing beacon
- Degree of protection IP 43
- For universal audible applications
- Fully developed and proven technology - typical horn tone
- Comprehensive range of AC and DC nominal voltages
- Without cone
- Attractive price/performance ratio



## TECHNICAL DATA

Housing	ABS grey (RAL 7035)
Lens	ribbed inside orange, red or yellow
Type of mounting	any, Sound outlet opening at bottom
Connection technology	up to 2,5 mm <sup>2</sup>
Beacon type	Steady beacon, LED steady beacon or LED flashing beacon
Strobe/flash frequency	2 Hz
Tone	Steady tone
Volume	88-92 dB
Duty cycle	100 %
Operating temperature	-20 °C / +50 °C
Degree of protection	IP43 & NEMA type 2
Weight	220 g



# KDL

## ORDER DATA

Lens colour	Nominal voltage	Voltage range (V)	Nominal current (A)	Mains frequency	Order number
orange	24 V AC	+/- 10 %	0,400	50 Hz	710 011 105
	24 V DC	+/- 10 %	0,320		710 011 005
	48 V AC	+/- 10 %	0,200	50 Hz	710 011 108
	110-120 V AC	+/- 10 %	0,076	60 Hz	710 011 210
	230-240 V AC	+/- 10 %	0,040	50 Hz	710 011 113
red	24 V AC	+/- 10 %	0,400	50 Hz	710 012 105
	24 V DC	+/- 10 %	0,320		710 012 005
	48 V AC	+/- 10 %	0,200	50 Hz	710 012 108
	110-120 V AC	+/- 10 %	0,076	60 Hz	710 012 210
	230-240 V AC	+/- 10 %	0,040	50 Hz	710 012 113
yellow	24 V DC	+/- 10 %	0,320		710 017 005
	48 V AC	+/- 10 %	0,200	50 Hz	710 017 108
	110-120 V AC	+/- 10 %	0,076	60 Hz	710 017 210
	230-240 V AC	+/- 10 %	0,040	50 Hz	710 017 113



## KDL



Incandescent bulb

LED beacon

## ACCESSORIES

Type	Type of accessory	Nominal voltage	Colour	Nominal current (A)	Weight	Output	Item Nr.
GL02	Incandescent bulb	24 V		0,270		7,000 W	890 010 905
GL03	Incandescent bulb	48 V		0,105		7,000 W	890 010 908
GL04	Incandescent bulb	60 V		0,115		7,000 W	890 010 909
GL05	Incandescent bulb	110-120 V		0,060		7,000 W	890 010 910
		230-240 V				7,000 W	890 010 913
LLB	LED flashing beacon	24 V AC/DC	orange		0,015 g		893 011 405
			red		0,015 g		893 012 405
			clear		0,015 g		893 014 405
			blue		0,015 g		893 015 405
			green		0,015 g		893 016 405
			yellow		0,015 g		893 017 405
		48 V AC/DC	orange		0,015 g		893 011 408
			red		0,015 g		893 012 408
			clear		0,015 g		893 014 408
			blue		0,015 g		893 015 408
			green		0,015 g		893 016 408
			yellow		0,015 g		893 017 408
		110 V AC	orange		0,015 g		893 011 310
			red		0,015 g		893 012 310
			clear		0,015 g		893 014 310
			blue		0,015 g		893 015 310
			green		0,015 g		893 016 310
			yellow		0,015 g		893 017 310
		230 V AC	orange		0,015 g		893 011 313
			red		0,015 g		893 012 313
			clear		0,015 g		893 014 313
			blue		0,015 g		893 015 313
			green		0,015 g		893 016 313
			yellow		0,015 g		893 017 313

# KDL

## ACCESSORIES

Type	Type of accessory	Nominal voltage	Colour	Nominal current (A)	Weight	Output	Item Nr.
LLL	LED steady beacon	24 V AC/DC	orange		0,015 g		893 001 405
			red		0,015 g		893 002 405
			clear		0,015 g		893 004 405
			blue		0,015 g		893 005 405
			green		0,015 g		893 006 405
			yellow		0,015 g		893 007 405
		48 V AC/DC	orange		0,015 g		893 001 408
			red		0,015 g		893 002 408
			clear		0,015 g		893 004 408
			blue		0,015 g		893 005 408
			green		0,015 g		893 006 408
			yellow		0,015 g		893 007 408
		110 V AC	orange		0,015 g		893 001 310
			red		0,015 g		893 002 310
			clear		0,015 g		893 004 310
			blue		0,015 g		893 005 310
			green		0,015 g		893 006 310
			yellow		0,015 g		893 007 310
		230 V AC	orange		0,015 g		893 001 313
			red		0,015 g		893 002 313
			clear		0,015 g		893 004 313
			blue		0,015 g		893 005 313
			green		0,015 g		893 006 313
			yellow		0,015 g		893 007 313

