

## M TRX A, M TRX B, M TRX A G, M TRX B G PHOTOCELL

M TRX is a single beam reflection photocell, consisting of:

- Active TX/RX active element with metal housing and front window in transparent PC (polycarbonate).
- Retroreflector (optional) reflecting the beam coming from active element.

The connections are guaranteed by a cable with M12 / 5-pin connector.

At power up, the RED and GREEN signal light (on the cap) blinks a number of times equal to the photocell transmission code (1 or 2).

Two further different models: M TRX, M TRX GLASS are available depending on the photocell scanning range.

The product is available in M TRX A, M TRX B version depending on the coding of the transmitted signal.

This coded signal eliminates the possibility of interference between the two different models.



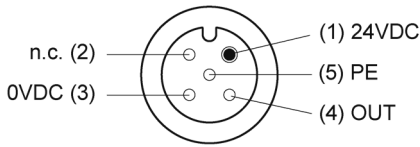
### Technical Data

MODEL		M TRX GLASS		M TRX	
		M TRX A G / M TRX B G		M TRX A / M TRX B	
PFHd (IEC 61508:2010)		6,40E-8			
Power supply		Vdc	24 ± 20%		
Power consumption at 24 Vdc		W	0,2		
Number of beams		1			
Working range	Retroreflector cod. 1210035: C3F10	m	0 ÷ 1,5		0 ÷ 2,5
	Retroreflector cod. 1210221: C3F8	m	0 ÷ 2		0 ÷ 3,5
	Retroreflector cod. 1210032: CD8	m	0 ÷ 3		0 ÷ 5
Emission angle		°	± 5		
Emission wavelength		nm	660 (modulated red)		
Response time		ms	65		
Output		PNP 100 mA max / Dark-on			
Connections		Pigtail 90 cm cable with M12 - 5 poles male connector			
Operating temperature		°C	-30 ÷ 55 (with no condensation)		
Protection degree		IP 65			
Dimensions	Width	mm	28		
	Depth	mm	30		
	Height	mm	70		

⇒ The EC Declaration of Conformity is available at the following internet address:  
<http://www.reer.it/reer/download>



## Connections



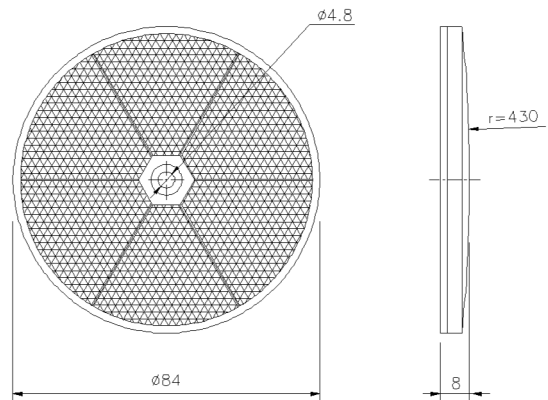
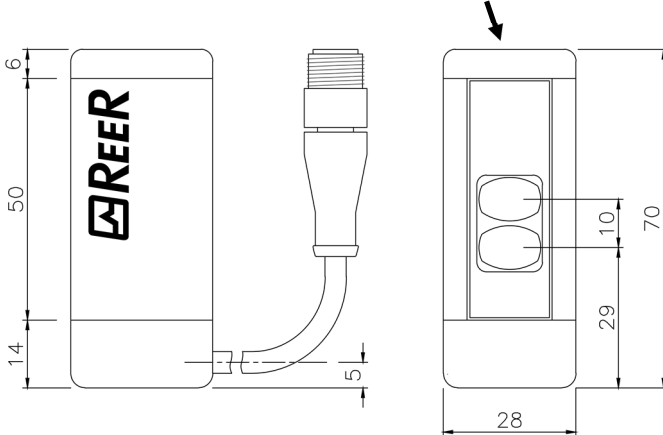
PIN	SIGNAL	OPERATION	
1	24VDC	24VDC power supply	
2	-	Not connected	
3	0VDC	0VDC power supply	
4	OUT	M TRX status	0VDC -> area free 24VDC -> area obstructed
5	PE	Earth connection	

## Light signals

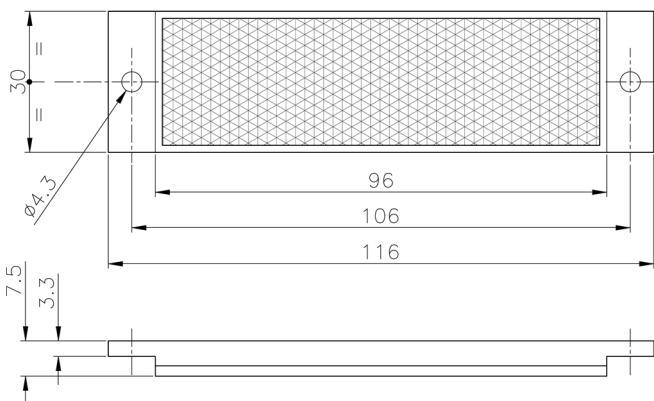
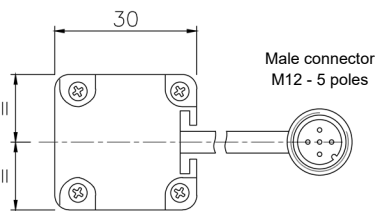
	COLOUR	STATE	INDICATION
LED COVER CAP	Green	ON	Controlled area is free
	Red	ON	Controlled area is obstructed
	Red	Blinking	Fail status

## Dimensions (mm)

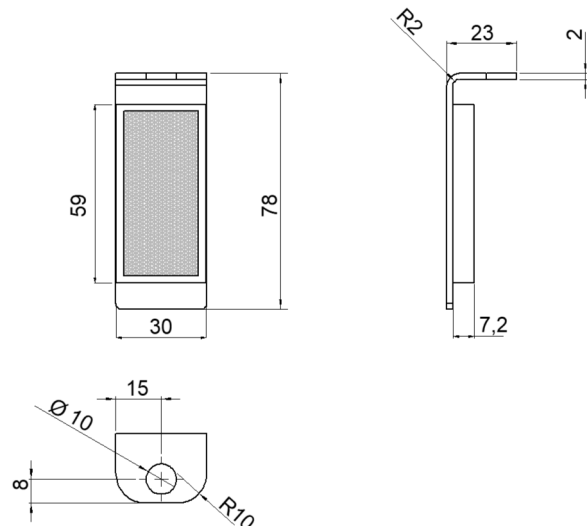
BACKLIT TOP COVER WITH STATUS LED



Retroreflector cod. 1210032: CD8



Retroreflector cod. 1210035: C3F10



Retroreflector 1210221: C3F8