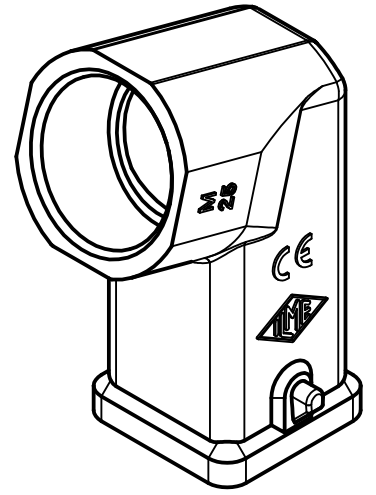


A

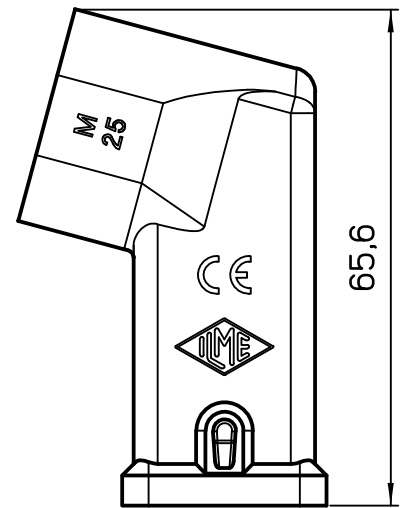
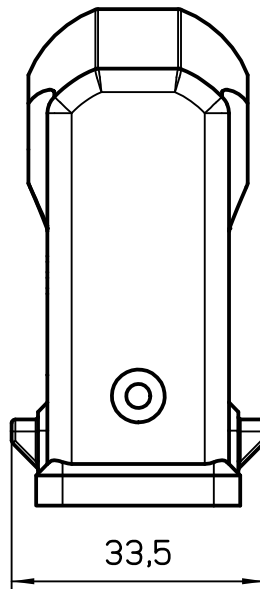
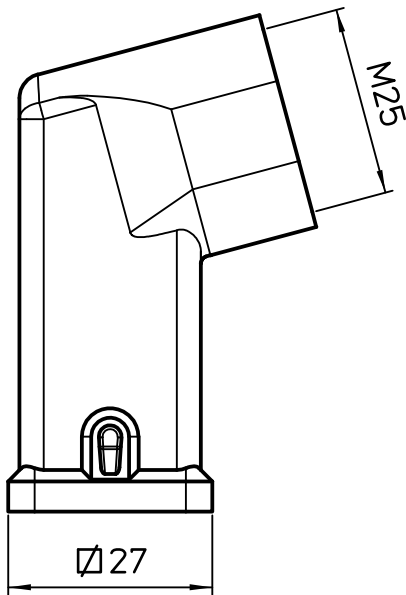
A



Diritti riservati All rights reserved

B

B



C

C

REV.	DATE	SIGNATURE		
Dimensions in mm		Simplified representation with dimensions without tolerance		
Original Size A4		MKAG VA25		Scale 1:1
Date 18/01/23		Metal hood, size "21.21", w/ glued gasket, M25 side entry - DESINA		
Sign. S.Diasparra				