

Part number

MKAG VA25



Hood, CKA series, with 2 pegs, M25 side cable entry, size "21.21", with gasket

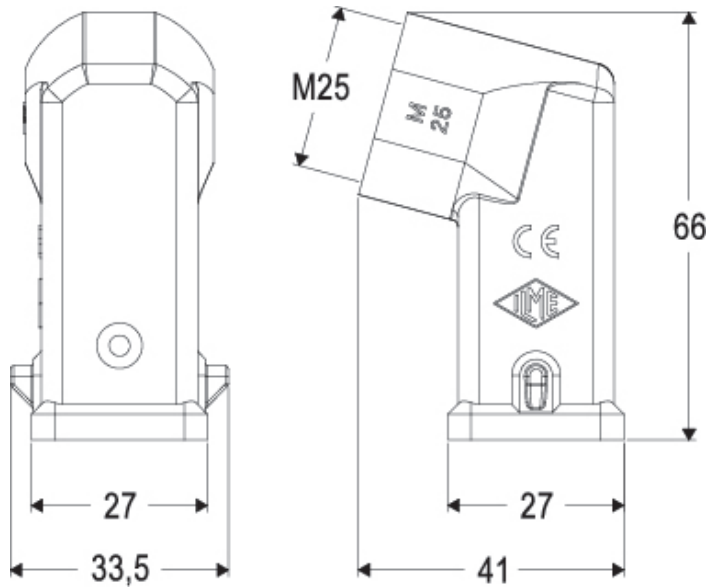
Product description		Material properties	
Product type	Hood	Main material	Zinc die-cast
Series	CKA	Colour	RAL 7040 grey
Closing type	With 2 pegs	RoHs conformity	Compliant
Size	Size "21.21"	China RoHs - EFUP	E
Cable entry	Side cable entry M25	REACH SVHC substances	No
Specification	With gasket	General ordering information	
Technical data		EAN13 code	8015747291279
IP degree of protection	IP66 / IP67 / IP69	eCl@ss 8.1	27440202
Further technical details		ETIM 7.0	EC000437
Weight	0,10 g	Packaging Information	
Operating temperature range (min, max)	-40°C...+125°C	Packaging description	Carton box
		Packaging quantity	100 Pcs
		Packaging EAN code	8015747300285
		Sub-packaging length	185,00 mm
		Sub-packaging height	40,00 mm
		Sub-packaging width	155,00 mm
		Sub-packaging volume	1,15 dm ³
		Sub-packaging description	Carton box
		Sub-packaging quantity	10 Pcs
		Sub-packaging EAN barcode	8015747291286

Part number

MKAG VA25



Catalogue drawings



Notes

AVAILABLE FROM: FEBRUARY 2023

Dimensions shown in mm are not binding and may be changed without notice.
