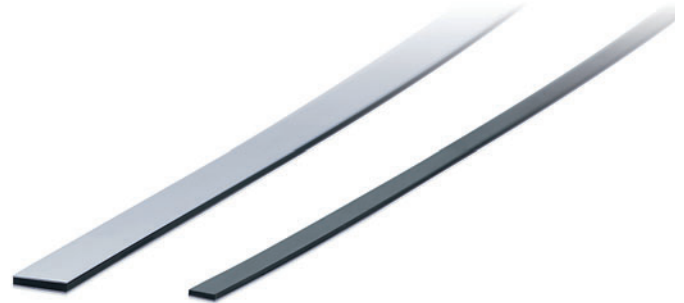




- Flexible magnetic tape with adhesive tape
- Incremental coding
- Cover strip available on request
- Resistant to debris, liquids and oils
- Standard rolls up to 100 m
- MT10, MT20, MT25, MT32, MT40, MT50 series
- MTS20, MTS50 series



MTxx

ENVIRONMENTAL SPECIFICATIONS

Protection:	IP67
Operating temperature range:	-20°C +70°C (-4°F +158°F)
Storage temperature range:	-40°C +100°C (-40°F +212°F)

MECHANICAL SPECIFICATIONS

Dimensions:	see drawing
Material:	plastoferrite and stainless steel
Accuracy class:	see order code
Thermal expansion coefficient:	16 * 10 ⁻⁶ /K
Length:	MT max. 100 m, MTS max. 30 m
Polar pitch:	MT/MTS50 : 5,0 mm, MT40 : 4,0 mm, MT32 : 3,2 mm MT/MTS20 : 2,0 mm, MT25 : 2,5 mm, MT10 : 1,0 mm

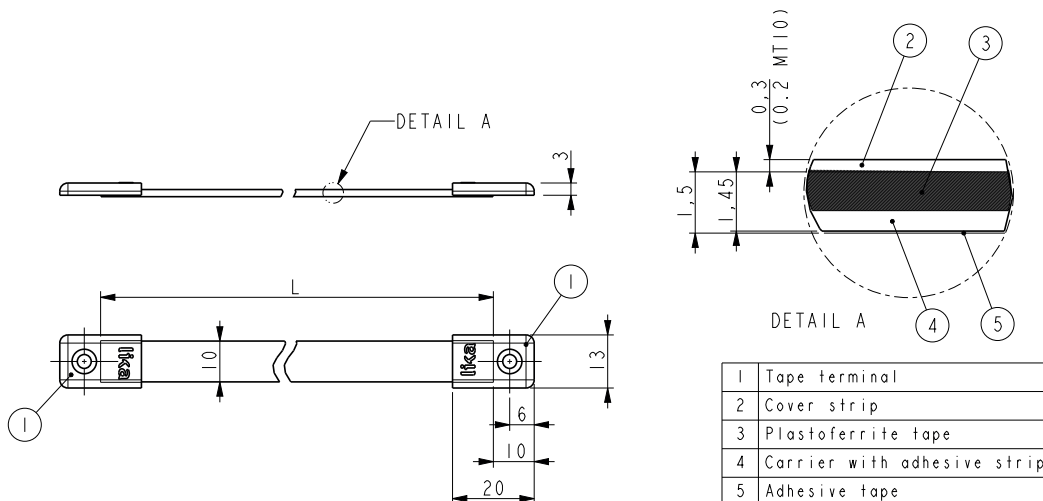
CHEMICAL RESISTANCE INFORMATION

Acetone	••	Mineral / Motor oil	•
Acetylene	••	Petrol	••
Antifreeze (Glacial acetic acid)	•	Seawater	••
Benzene	•••	Steam heat	•
Heptane	•••	Thinner	•••
Kerosene	•	Turpentine	••
Ketone	•••		

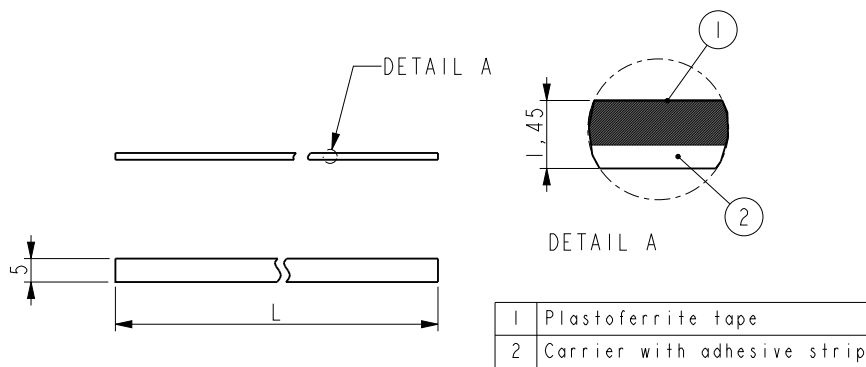
• No effect or low effect •• Low to Medium effect ••• Strong effect

ACCESSORIES

KIT PS1-1,0:	Protection profile (10 pcs)
KIT LKM-1440:	Tape terminals (10 pcs)



MT



MTS

Order code

MT50 MT40 MT32	MT25 MT20 MT10	-	XXX a	-	XXX b	-	X c	-	/Sxxx d
----------------------	----------------------	---	----------	---	----------	---	--------	---	------------

a) LENGTH 1 = 1,0 m 2 = 2,0 m 4 = 4,0 m 10 = 10,0 m	20 = 20,0 m 30 = 30,0 m 50 = 50,0 m 100 = 100,0 m	b) ACCURACY CLASS 100 = ±85 µm/m 50 = ±35 µm/m (up to 30 m) 10 = ±8 µm/m (up to 10 m)	c) COVER STRIP 0 = not supplied 1 = supplied	d) CUSTOM VERSION
--	--	---	---	--------------------------

Order code

MTS50 MTS20	-	XXX a	-	XXX b	-	X c	-	/Sxxx d
----------------	---	----------	---	----------	---	--------	---	------------

a) LENGTH 1 = 1,0 m 2 = 2,0 m 4 = 4,0 m 10 = 10,0 m 20 = 20,0 m 30 = 30,0 m	b) ACCURACY CLASS 100 = ±85 µm/m 50 = ±35 µm/m	c) COVER STRIP 0 = not supplied	d) CUSTOM VERSION
--	---	---	--------------------------