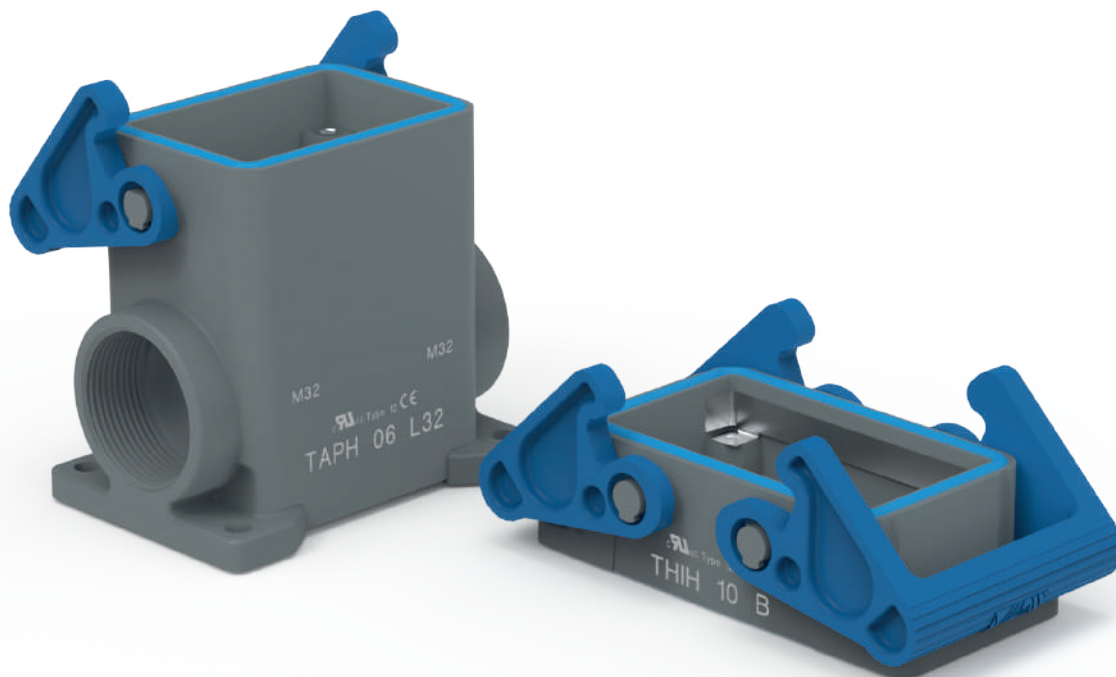

T-TYPE HYGIENIC WITH METAL-DETECTABLE LEVERS



Locking lever(s)
made of metal detectable
thermoplastic material,
suitable for food contact



Find more
information on
our products at
www.ilme.com

TECHNICAL FEATURES

T-TYPE/H & T-TYPE/C



Watch
our technical
clip

Series **T-TYPE HYGIENIC** enclosures with locking lever (both the **/H** and the **/C** versions), likewise the recently introduced **CKH-MKH HYGIENIC** size "21.21" series of enclosures (see ILME NEWS 2020 catalogue, pages 106-115), are now updated with the locking lever(s) made of **metal detectable thermoplastic material**, suitable for food contact.

Metal detection of foreign objects in food processing plants is widely used as a means to guarantee from accidental loss of such parts in food prior to its further processing, canning, bottling or packaging in general.

In addition to the blue colour, that helps to optically detect through surveillance cameras the presence of parts clearly alien to food (no blue natural food is known, hence the choice of this colour), metal detection comes in help, as already popular in food processing.

Part Numbers remain unchanged.
Zip code **will be announced by a dedicated Product Info.**

FROM JUNE 2021

Size	Cable outlet	Locking lever	T-TYPE HYGIENIC /H		T-TYPE HYGIENIC Cold /C	
			part No.	part No.*	part No.	part No.*
44.27	-	single	THIH 06 L	THIH 06 LB	THIC 06 L	THIC 06 LB
57.27	-	double	THIH 10	THIH 10 B	THIC 10	THIC 10 B
77.27	-		THIH 16	THIH 16 B	THIC 16	THIC 16 B
104.27	-		THIH 24	THIH 24 B	THIC 24	THIC 24 B
44.27	M25	single	TAPH 06 L25	TAPH 06L25B	TAPC 06 L25	TAPC 06L25B
	M32		TAPH 06 L32	TAPH 06L32B	TAPC 06 L32	TAPC 06L32B
	2xM25		TAPH 06 L225	TAPH06L225B	TAPC 06 L225	TAPC06L225B
	2xM32		TAPH 06 L232	TAPH06L232B	TAPC 06 L232	TAPC06L232B
57.27	M25	double	TAPH 10.25	TAPH 10.25B	TAPC 10.25	TAPC 10.25B
	M32		TAPH 10.32	TAPH 10.32B	TAPC 10.32	TAPC 10.32B
	2xM25		TAPH 10.225	TAPH10.225B	TAPC 10.225	TAPC10.225B
	2xM32		TAPH 10.232	TAPH10.232B	TAPC 10.232	TAPC10.232B
77.27	M32	double	TAPH 16.32	TAPH 16.32B	TAPC 16.32	TAPC 16.32B
	M40		TAPH 16.40	TAPH 16.40B	TAPC 16.40	TAPC 16.40B
	2xM32		TAPH 16.232	TAPH16.232B	TAPC 16.232	TAPC16.232B
	2xM40		TAPH 16.240	TAPH16.240B	TAPC 16.240	TAPC16.240B
104.27	M32	double	TAPH 24.32	TAPH 24.32B	TAPC 24.32	TAPC 24.32B
	M40		TAPH 24.40	TAPH 24.40B	TAPC 24.40	TAPC 24.40B
	2xM32		TAPH 24.232	TAPH24.232B	TAPC 24.232	TAPC24.232B
	2xM40		TAPH 24.240	TAPH24.240B	TAPC 24.240	TAPC24.240B
44.27	M25	single	TAVH 06 LG25	TAVH06LG25B	TAVC 06 LG25	TAVC06LG25B
	M32		TAVH 06 LG32	TAVH06LG32B	TAVC 06 LG32	TAVC06LG32B
57.27	M25	double	TAVH 10 G25	TAVH 10G25B	TAVC 10 G25	TAVC 10G25B
	M32		TAVH 10 G32	TAVH 10G32B	TAVC 10 G32	TAVC 10G32B
77.27	M32		TAVH 16 G32	TAVH 16G32B	TAVC 16 G32	TAVC 16G32B
	M40		TAVH 16 G40	TAVH 16G40B	TAVC 16 G40	TAVC 16G40B
104.27	M32	double	TAVH 24 G32	TAVH 24G32B	TAVC 24 G32	TAVC 24G32B
	M40		TAVH 24 G40	TAVH 24G40B	TAVC 24 G40	TAVC 24G40B

* Enclosures with protective earth jumpers CR...BPE preassembled with part No. of base model plus **letter B** at the end.

Size	With loop	Locking lever	Covers for T-TYPE HYGIENIC	Covers for T-TYPE HYGIENIC Cold
			part No.	part No.
44.27		single	THCH 06 LG	THCC 06 LG
57.27		double	THCH 10 G	THCC 10 G
77.27			THCH 16 G	THCC 16 G
104.27			THCH 24 G	THCC 24 G

PLANARITY GASKETS
FOR T-TYPE SURFACE MOUNTING HOUSING
CR 06 /10 /16 /24 GTPC



Suitable for all sizes
of the T-TYPE HYGIENIC /H and /C



Find more
information on
our products at
www.ilme.com

TECHNICAL FEATURES

CR 06 /10 /16 /24 GTPC



Watch
our technical
clip

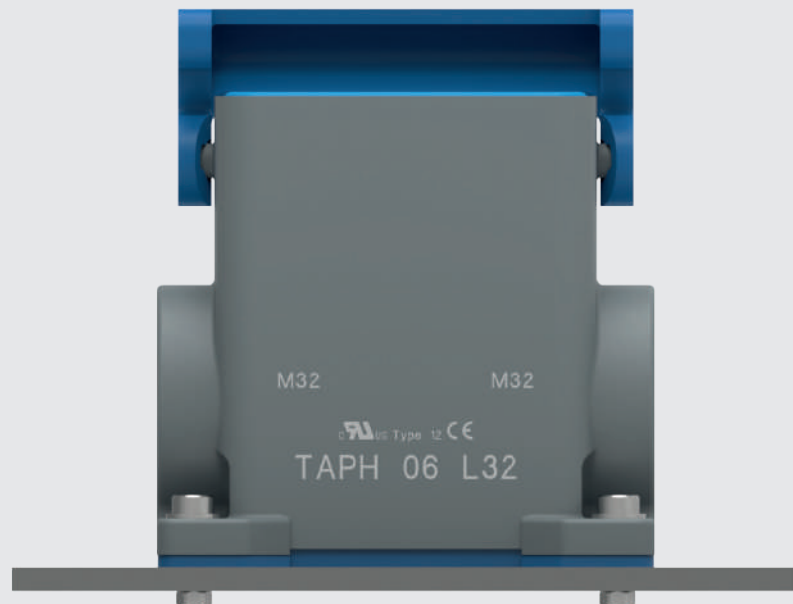
Available in four dedicated sizes.

Suitable for closing the gap underneath wall-mounting housings of all sizes “44.27”, “57.27”, “77.27” and “104.27” of the **T-TYPE HYGIENIC** (both **/H** and **/C** for cold applications).

Re-establish planarity of the bottom (base) of these housings, thus avoiding the potential “nesting” of hazardous dirt in a gap otherwise difficult to be fully cleaned with washing in HYGIENIC applications.

Made with food grade silicone, blue coloured.

it closes the gap
underneath
wall-mounting
housings of all
sizes of the T-TYPE
HYGIENIC



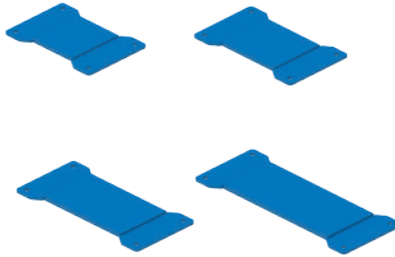
CR 06/10/16/24 GTPC planarity gaskets for T-TYPE surface mounting housing

T-TYPE surface mounting housing:

page:

T-TYPE / H	
size "44.27"	501
size "57.27"	502
size "77.27"	503
size "104.27"	504
T-TYPE / C	
size "44.27"	506
size "57.27"	507
size "77.27"	508
size "104.27"	509

planarity gasket for T-TYPE surface mounting housing



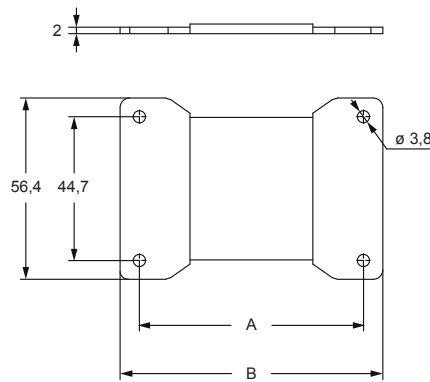
refer to CN.19 pages

description	part No.
-------------	----------

planarity gasket for surface mount T-TYPE size "44.27"	CR 06 GTPC
planarity gasket for surface mount T-TYPE size "57.27"	CR 10 GTPC
planarity gasket for surface mount T-TYPE size "77.27"	CR 16 GTPC
planarity gasket for surface mount T-TYPE size "104.27"	CR 24 GTPC

- food grade silicone, blue colour

CR GTPC



part No.	polarity	A	B
CR 06 GTPC	06	69,7	81,7
CR 10 GTPC	10	81,7	93,9
CR 16 GTPC	16	104,7	116,7
CR 24 GTPC	24	131,7	143,6

ASSEMBLY INSTRUCTIONS

CR GTPC

- * Screws, washers and counternuts not provided (installation dependent)

