



## Wireless actor sWave.NET® RF Rx SW868-NET-4S-A Material number: 1454159

### Features/Options:

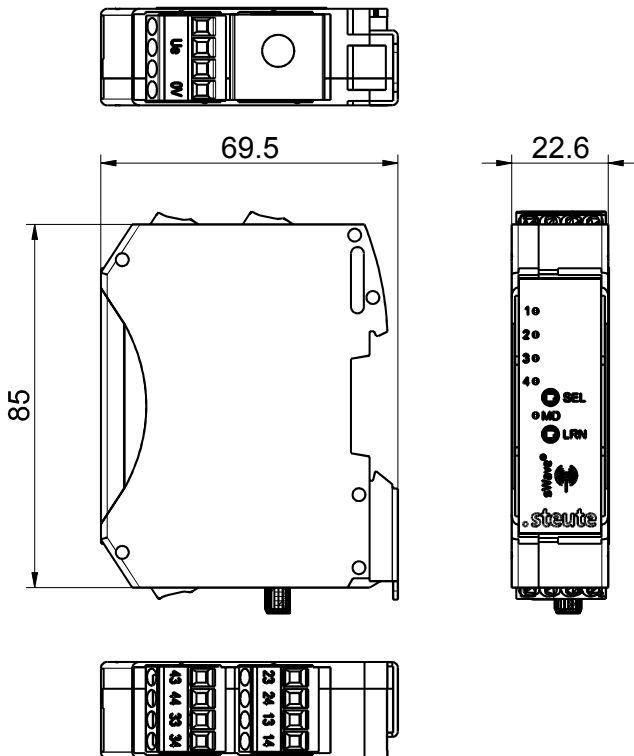
- sWave.NET® wireless technology
- 4 potential-free relay outputs
- Simple operation and integration in existing ERP systems via Sensor Bridge

### Notes

- External antenna always required for optimum wireless range

- LEDs for indication of switching state
- Long transmission range (700 m outdoors, approx. 50 m indoors)
- SMA plug-in connector for external antenna

### Dimensions



### Technical data

|  |   |
|--|---|
| Applied standards  | EN 60947-5-1, EN 61000-6-2, EN 61000-6-3, EN 61000-4-2, EN 61000-4-4, EN 61000-4-5, EN 61000-4-6, EN 60068-2-6, EN 60068-2-27, EN 301 489-1, EN 301 489-3, EN 300 220-1, EN 300 220-2 |
| Enclosure  | thermoplastic, glass-fibre reinforced, impact resistant, self-extinguishing UL 94 V-0   |
| Degree of protection   | IP 20 to IEC/EN 60529   |
| Protocol   | sWave.NET®  |
| Frequency  | 868.3 MHz (Europe, China)   |
| Transmission power   | < 25 mW   |
| Data rate  | 66 kbps   |
| Channel bandwidth  | 480 kHz   |
| Number of channels   | 4   |
| Mounting   | DIN rail mounting   |
| Connection   | screw connection terminals 0.14 mm <sup>2</sup> - 2,5 mm <sup>2</sup> , stripping length 8 mm   |
| Inputs   | 2 additional push buttons (SEL, LRN)  |
| Outputs  | 4 NO contacts (relay)   |
| Current absorption   | max. 0.02 A (standby current), up to max. 0.1 A (4 relays energised)  |
| Rated operating current/voltage I <sub>e</sub> /U <sub>e</sub> | max. 0.1 A/24 VDC -15 % ... +10 %;<br>output contacts: 3 A/250 VAC; 3 A/24 VDC  |
| Utilisation category   | AC-15; DC-13  |
| Rated insulation voltage U <sub>i</sub>                        | 250 VAC   |

Errors and omissions excepted.



Wireless actor sWave.NET®  
RF Rx SW868-NET-4S-A  
Material number: 1454159

## Technical data

|   |   |
|---|---|
| Rated impulse withstand voltage $U_{imp}$ | 2.5 kV  |
| Wireless range                            | max. 700 m outdoors,<br>max. 50 m indoors   |
| Display                                   | green LED: operating state,<br>orange LED: switching conditions   |
| Operation cycles                          | max. 12000 telegrams with<br>repetitions/h  |
| Degree of pollution                       | 2   |
| Ambient temperature                       | 0 °C ... +55 °C   |
| Storage and shipping temperature          | -25 °C ... +85 °C   |
| Note                                      | Inductive loads (contactors, relays etc.) are to be suppressed by suitable circuitry. Switching contacts are not suitable for capacitive loads. |
| Wireless approvals                        | Europe: RED 2014/53/EU  |
| Weight                                    | 86 g  |