

- Guided measurement system
- Absolute sensing without referencing
- CANopen & SSI interface
- Resolution up to 5 μm
- Measurement length from 115 to 570 mm
- Easy installation with 1 fixing point
- Non-linear movement possible
- Unaffected by dust, debris or liquids



SMAG

ENVIRONMENTAL SPECIFICATIONS

Shock:	250 g, 6 ms acc. to CEI EN 60068-2-27
Vibrations:	10 g, 5-2000 Hz acc. to CEI EN 60068-2-6
Protection:	IP65
Operating temperature range:	-25°C +85°C (-13°F +185°F)
Storage temperature range:	-40°C +100°C (-40°F +212°F)
Options:	Protection IP67 (sealed circuits)

MECHANICAL SPECIFICATIONS

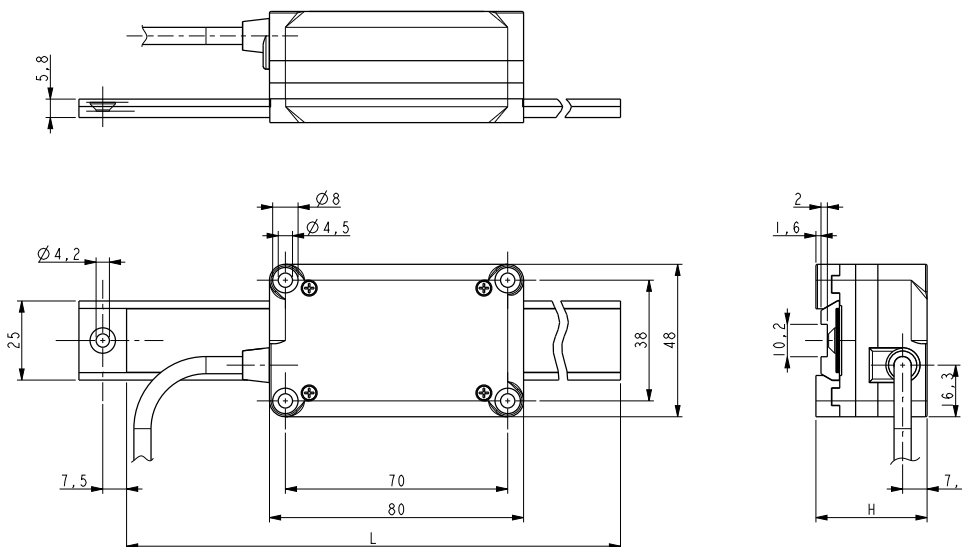
Dimensions:	see drawing
Housing material:	Sensor: Nylon 6FC 30%, Profile: aluminium
Electrical connection:	Lika Hi-flex cable M8 2,0 m or M12 8 pin inline plug
Travel speed (mechanical):	typ. 0,5 m/s - max. 1m/s
Measurement length:	Measurement length = profile length - 80 mm

ELECTRICAL SPECIFICATIONS

Resolution:	CANopen: 5 μm (programmable) SSI: 100, 50, 10, 5 μm
Sensor accuracy:	$\pm 15 \mu\text{m}$ max.
Repeat accuracy:	± 1 increment
Output circuits:	CANopen, SSI
Power supply:	+10Vdc \div +30Vdc
Power consumption:	1 W max.
Protection:	against inversion of polarity and short-circuit
EMC:	acc. to EN 61000-6-2 level 3
Functions:	Zero setting, Counting direction

ACCESSORIES

MTAG-A302:	Magnetic profile
EM12F8:	M12 8 pin mating connector
EC-M12F8-LK-M8-050:	cordset 5 meters with M12 conn.
EC-M12F8-LK-M8-100:	cordset 10 meters with M12 conn.



Series	L	H
SMAG - CB2	see profile length	35 mm
SMAG - GA2	see profile length	28 mm

SMAG

Order code - CANopen version

SMAG	-	XXX a	-	XXXX b	-	XXXX c	/Sxxx d
------	---	----------	---	-----------	---	-----------	------------

a OUTPUT CIRCUITS & POWER SUPPLY
CB2 = CANopen interface, +10Vdc +30Vdc

b RESOLUTION
0005 = 0,005 mm

c CABLE TYPE & LENGTH
L020 = cable output 2 m
L050 = cable output 5 m
Lxx0 = cable out. x m (max. length 10m)

d CUSTOM VERSION

Order code - SSI version

SMAG	-	XXX a	-	XXXX b	-	XXXX c	/Sxxx d
------	---	----------	---	-----------	---	-----------	------------

a OUTPUT CIRCUITS & POWER SUPPLY
GA2 = Gray, SSI, LSB aligned, +10Vdc +30Vdc

b RESOLUTION
0100 = 0,1 mm
0050 = 0,05 mm
0010 = 0,01 mm
0005 = 0,005 mm

c CABLE TYPE & LENGTH
L020 = cable output 2 m
L050 = cable output 5 m
Lxx0 = cable out. x m (max. length 10m)
M005 = cable output 0,5 m with M12 8 pin conn.
M020 = cable output 2 m with M12 8 pin connector

d CUSTOM VERSION

Order code - Profile

MTAG	-	XXXX a	-	XX b	-	XXXXXX c	-	X d	-	X e	-	X f	-	XXX g	/Sxxx h
------	---	-----------	---	---------	---	-------------	---	--------	---	--------	---	--------	---	----------	------------

a CODING
A302 = SMAG absolute coding (ex MTAG)

c PROFILE LENGTH
000195 = 195 mm (ML = 105 mm)
000220 = 220 mm (ML = 140 mm)
000240 = 240 mm (ML = 160 mm)
000300 = 300 mm (ML = 220 mm)
000370 = 370 mm (ML = 290 mm)
000650 = 650 mm (ML = 570 mm)

d BIADHESIVE
N = not supplied

f COVER STRIP
C = supplied

g ACCURACY CLASS
035 = ±35 µm

b WIDTH
20 = 20 mm

e PRINTING
P = standard

h CUSTOM VERSION

Document release	Date	Description
1.1	December 2023	New order code
1.0	22.09.2022	Accuracy class