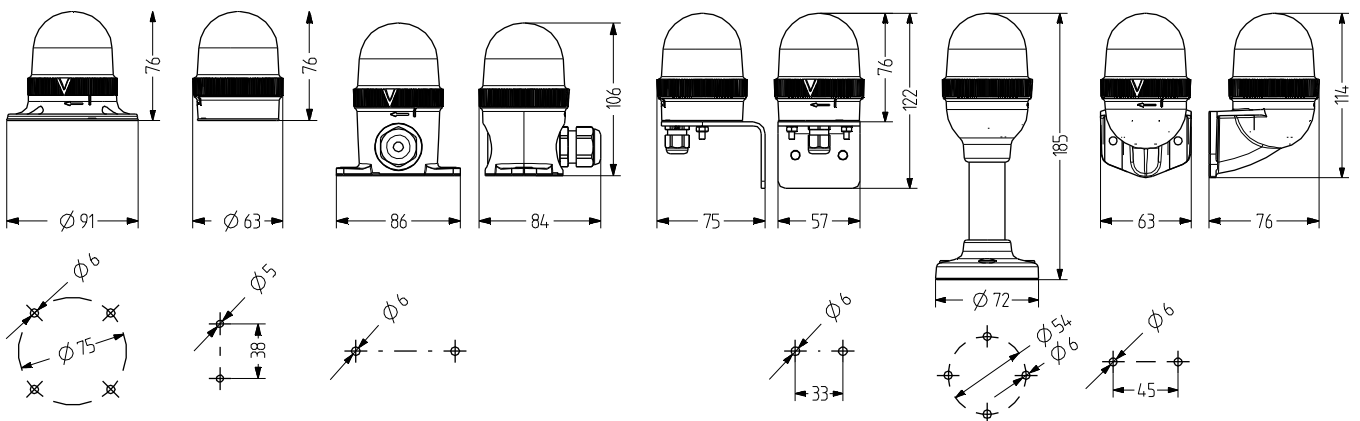


# UDC LED steady/flashing beacon

- Ø 60 mm LED steady/flashing beacon
- Good signalling effect
- Modular design
- High degree of protection IP 66 & impact resistance IK08

- Modern LED technology and electronics
- Steady/flashing light, can be switched externally
- For industrial and general applications
- User-friendly connection technology



## TECHNICAL DATA

Housing	Ø 60 mm, Polycarbonate black (RAL 9005)
Lens	Polycarbonate, ribbed inside orange, red, clear, blue, green or yellow
Type of mounting	horizontal, vertical or Tube mounting
Connection technology	Screw terminal 2,5 mm <sup>2</sup>
Leakage current	0,003 A (PLC-suitable)
Beacon type	LED steady beacon or LED flashing beacon

Light source	12 LEDs
Strobe/flash frequency	2 Hz
Duty cycle	100 %
Service life	Light source: >50.000 h
Operating temperature	-30°C/+60°C
Degree of protection	IP66 & UL Type 4/4x/13
Impact resistance	IK08
Weight	52 g



# UDC

## ORDER DATA - LENS

Lens colour	Nominal voltage	Voltage range (V)	Nominal current (A)	Order number
orange	24 V AC/DC	18-27 V AC	0,100	858 501 405
		20-32 V DC		
	110-120 V AC	75-132	0,045	858 501 310
red	24 V AC/DC	18-27 V AC	0,100	858 502 405
		20-32 V DC		
	110-120 V AC	75-132	0,045	858 502 310
clear	24 V AC/DC	18-27 V AC	0,100	858 504 405
		20-32 V DC		
	110-120 V AC	75-132	0,045	858 504 310
blue	24 V AC/DC	18-27 V AC	0,100	858 505 405
		20-32 V DC		
	110-120 V AC	75-132	0,045	858 505 310
green	24 V AC/DC	18-27 V AC	0,100	858 506 405
		20-32 V DC		
	110-120 V AC	75-132	0,045	858 506 310
yellow	24 V AC/DC	18-27 V AC	0,100	858 507 405
		20-32 V DC		
	110-120 V AC	75-132	0,045	858 507 310
	230-240 V AC	150-264	0,045	858 507 313



Steady & flashing



UMW



UMF



UMV



UMR



UNL



UNW

## ORDER DATA - BASE

Type	Type of accessory	Tube length	Weight	Order number
UMW	Base for vertical mounting, with internal mounting holes			858 500 900
UMF	Base for horizontal mounting, with external mounting holes		80 g	858 510 900
UMV	Base for vertical mounting		87 g	858 520 900
UMR	Tube base for horizontal mounting, with aluminium tube/plastic foot	100 mm		858 532 900
		250 mm		858 533 900
UNL	Base for horizontal mounting, with side cable entry		99 g	858 515 900
UNW	Tube base for NPT 1/2" tube mounting			858 540 900



UVS



XWR



PV1

## ACCESSORIES

Type	Type of accessory	Weight	Order number
UVS	Bracket with UMW cable entry from bottom (incl. cable gland M12 x 1.5)	157 g	858 550 900
XWR	Bracket for vertical mounting of TMR/UMR tube base	95 g	900 600 900
PV1	Ventilation element for optimum pressure equalisation, protection against condensation forming, compatible with TMW, TMF, TNL, UMW, UMF, UNL		859 100 000