

UT 20-150-A

Ultrasonic sensor with analogue output



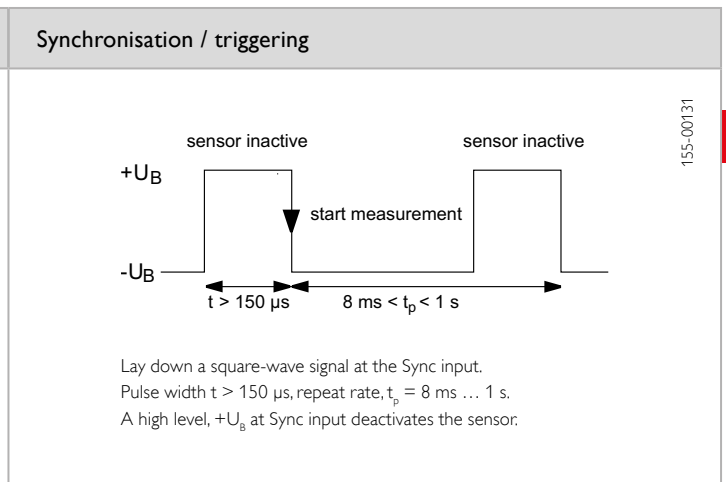
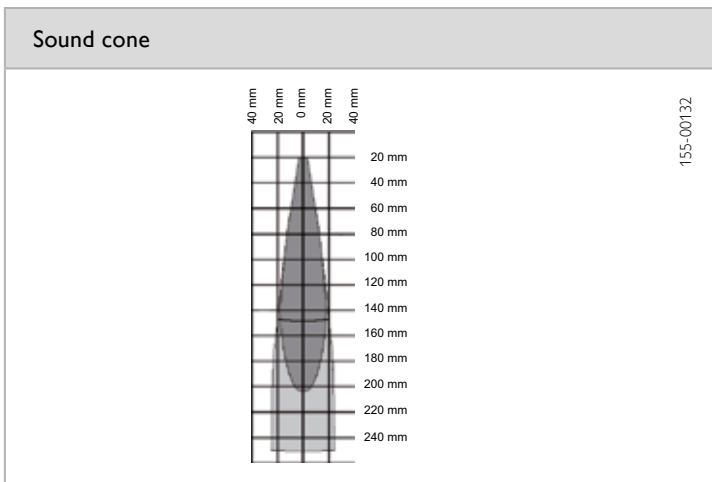
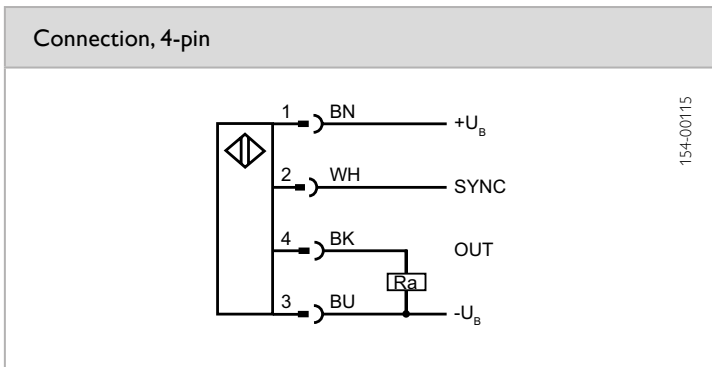
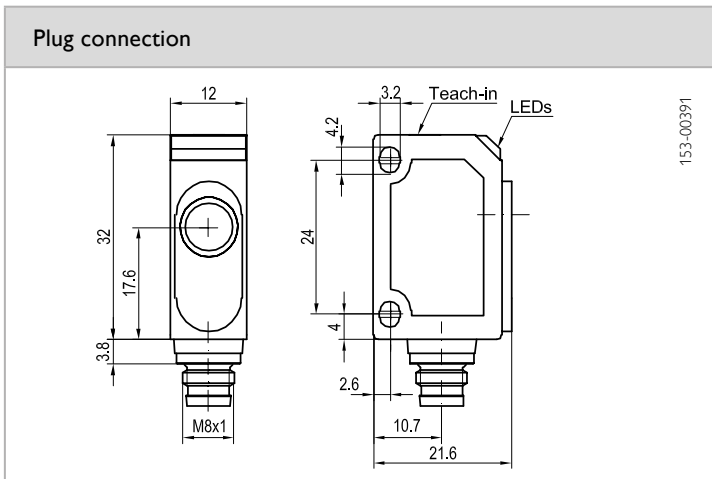
PRODUCT HIGHLIGHTS

- Detection regardless of object colour and surface
- Compact miniature housing for use when machine space is limited
- Synchronisation input – simultaneous operation of several sensors in highly limited spaces
- Analogue output: 0 ... 10V or 4 ... 20 mA

Sensor data ¹		Functions	
Limit scanning distance	250 mm	Indicator LED, green	Operating voltage indicator
Operating scanning distance	20 ... 150 mm	Indicator LED, yellow	Switching output indicator
Ultrasonic frequency	~ 380 kHz	Set characteristic analogue curve	Via Teach-in button
Resolution	0.20 mm	Adjustment possibilities	Rising / falling slope via Teach-in button
Repeatability	± 0.15 % ²		Button lock via Teach-in button
Temperature drift	≤ 2 %		Synchronisation via control input
			Default settings via Teach-in button
Electrical data		Mechanical data	
Operating voltage, +U _B	20 ... 30V DC ³	Dimensions	32 × 21.6 × 12 mm
No-load current, I ₀	≤ 25 mA	Enclosure rating	IP 67 ⁴
Current output	R _a < 500 Ω	Material, housing	ABS
Voltage output	R _a > 500 Ω	Material, ultrasonic converter	Polyurethane foam, epoxy resin with glass content
Protective circuits	Reverse polarity protection, U _B / short-circuit protection (Q)	Type of connection	(See Selection Table)
Protection Class	2	Ambient temperature: operation	-25 ... +70 °C
Power On Delay	< 300 ms	Ambient temperature: storage	-40 ... +85 °C
Analogue output	0 ... 10V / 4 ... 20 mA (see Selection Table)	Weight	10 g
Response time	30 ms	Vibration and impact resistance	EN 60947-5-2
Connection, WH	Sync.		

¹ After 30 minutes settling time ² From end-value of limit scanning distance ³ Max. 10 % ripple, within U_B ⁴ With connected IP 67 plug

Operating scanning distance	Analogue output	Type of connection	Part number	Article number
20 ... 150 mm	0 ... 10V	Metal plug, M8x1, 4-pin	UT 20-150-AUM4	693-11004
20 ... 150 mm	4 ... 20 mA	Metal plug, M8x1, 4-pin	UT 20-150-AIM4	693-11005



Accessories

Connection cables	From Page A-38
Brackets	From Page A-4