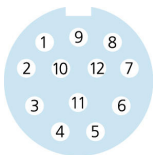
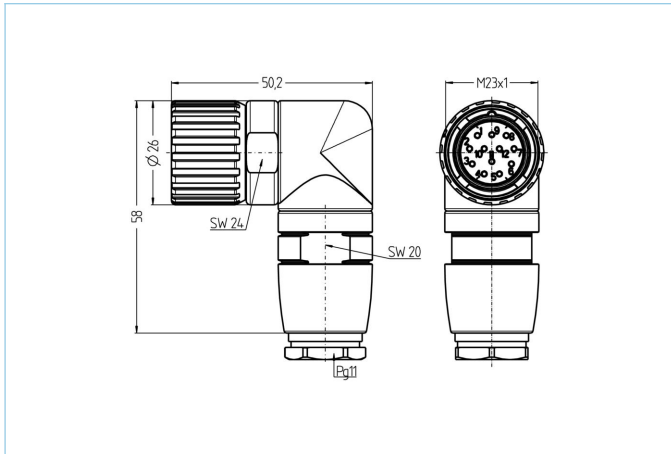


Field-wireable, M23, female, angled, 12 poles, soldering contact, 150V



Product data	
Item description	WMKCC12L
Item-No.	8017153
Customs tariff-No.	85366990
Step-File	WMKCC12L.stp
EAN	4047106065812
Technical data	
Connector	female, angled, M23
Number of pins	12
Rated voltage	150V
Current load power	8A contacts 9,10,11,12
Current load signal	4A all other contacts
Insulation resistance	$\geq 10^9 \Omega$
Ambient temperature product	-40°C...+125°C
Contact material	Metal, CuZn, gold-plated
Contact-carrier material	Plastic, PBT, GY
Grip body material	Metal, CuZn, nickel-plated, silver-plated
Coupling nut material	Metal, CuZn, nickel-plated
Sealing (female) material	Plastic, NBR
Connecting cross-section	contacts 9,10,11,12 0,75...1,0 mm <sup>2</sup>   all other 0,5...0,75 mm <sup>2</sup>
Cable outlet	8...12 mm
Connecting type	Soldering contact
Standards	IEC 61076-2-101
Degree of protection (mounted)	IP67
Mechanical life-cycle	>100 mating cycles
Degree of pollution	3
Style	angled

#### Classification

eCl@ss 6.0	27260702
eCl@ss 7.0	27440102
eCl@ss 8.0	27440102
eCl@ss 9.0	27440102
ETIM 5.0	EC002635
ETIM 6.0	EC002635

#### Link to product

<https://www.escha.net/en/products/standard/field-wireable-connectors/8017153>