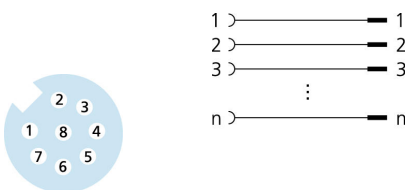
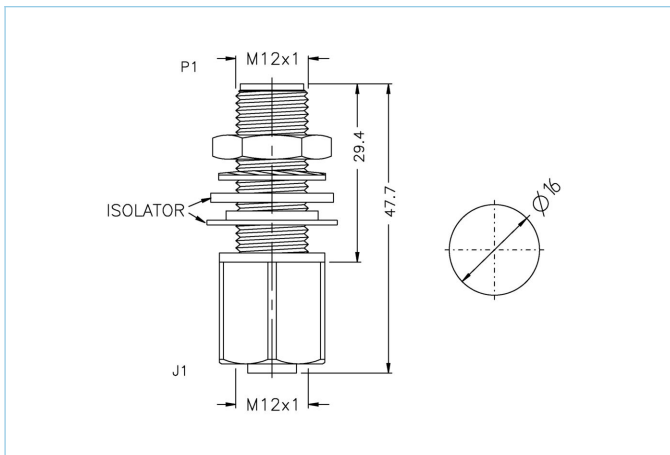


Panel feed through, M12, female, straight, 8 poles, M12, male, straight, 8 poles



Product data		
Item description	FKFS8/M12	
Item-No.	8018410	
Customs tariff-No.	85366990	
EAN	4047106060503	
Technical data	A-side	B-side
Connector	female, straight, M12	male, straight, M12
Number of pins	8	8
Current load (at 40°C)	2A	2A
Insulation resistance	≥10 <sup>9</sup> Ω	≥10 <sup>9</sup> Ω
Ambient temperature product	-30°C...+90°C	-30°C...+90°C
Contact material	Metal, CuZn, gold-plated	Metal, CuZn, gold-plated
Contact-carrier material	Plastic, TPU, BK	Plastic, TPU, BK
Standards	IEC 61076-2-101	IEC 61076-2-101
Degree of protection (mounted)	IP67	IP67
Mechanical life-cycle	>100 mating cycles	>100 mating cycles
Degree of pollution	3	3
Classification		
eCl@ss 6.0	27279201	
eCl@ss 7.0	27279201	
eCl@ss 8.0	27279201	
eCl@ss 9.0	27440106	
ETIM 5.0	EC002062	
ETIM 6.0	EC002925	

**Link to product**

<https://www.escha.net/en/products/standard/receptacles/8018410>