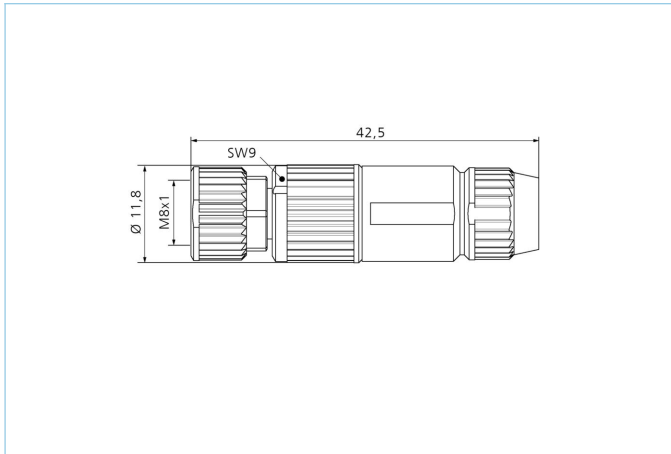
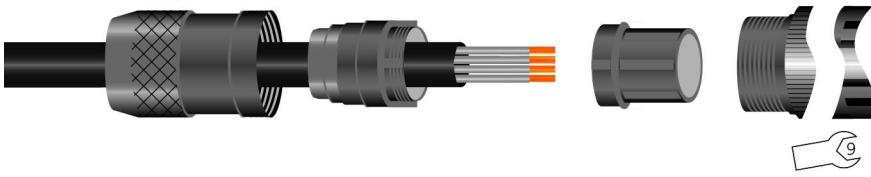


Field-wireable, M8, female, straight, 3 poles, insulation displacement contact, 32V 4A



Product data	
Item description	SKPC35
Item-No.	8019721
Customs tariff-No.	85366990
Step-File	SKPC35.stp
EAN	4047106055936
Technical data	
Connector	female, straight, M8
Number of pins	3
Rated voltage	32V
Current load per pin (at 40°C)	4A
Insulation resistance	≥10 <sup>9</sup> Ω
Resistance	≤ 10mΩ
Ambient temperature product	-40°C...+85°C
Contact material	Metal, CuZn, gold-plated
Contact-carrier material	Plastic, PA, BK
Grip body material	Zinc die-cast, nickel-plated
Coupling nut material	Metal, GD-ZN, nickel-plated
Connecting cross-section	0.14...0.34 mm <sup>2</sup>   AWG26...22
Cable outlet	2,5...5,1 mm
Connecting type	Insulation displacement contact
Standards	IEC 61076-2-104
Degree of protection (mounted)	IP67
Mechanical life-cycle	>100 mating cycles
Degree of pollution	3
Style	straight

**Manual****Classification**

eCl@ss 6.0	27260702
eCl@ss 7.0	27440102
eCl@ss 8.0	27440102
eCl@ss 9.0	27440102
ETIM 5.0	EC002635
ETIM 6.0	EC002635

**Link to product**

<https://www.escha.net/en/products/standard/field-wireable-connectors/8019721>