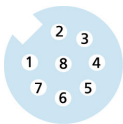
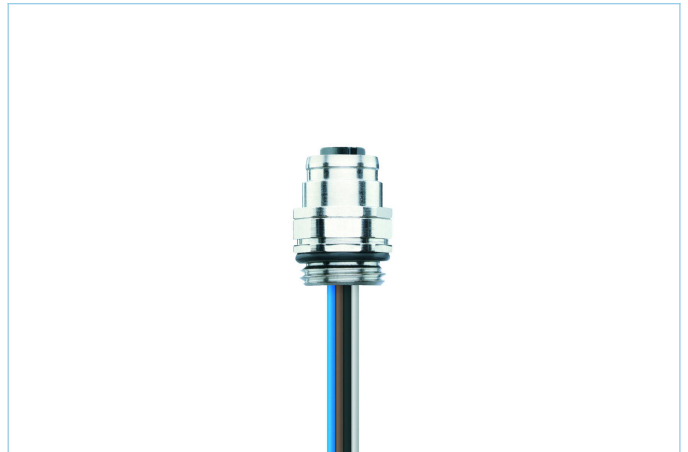
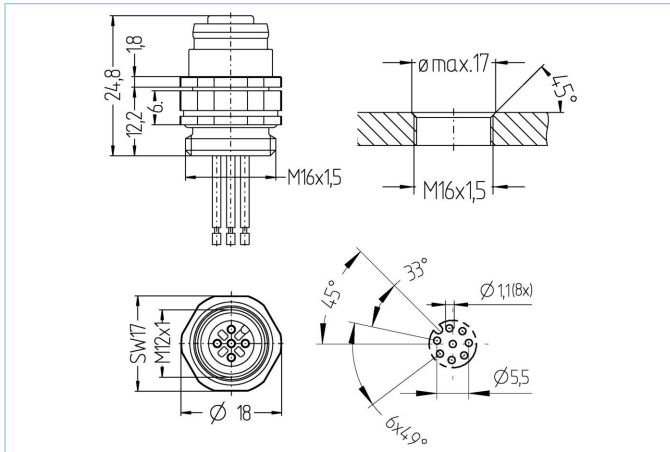


## Receptacle, M12



### Product data

Item description	EC-FKD8-0,5/16
Item-No.	8028111
Customs tariff-No.	85444290
Step-File	EC-FKD8-m_16.stp
EAN	4047106016753

### Technical data

Connector	female, straight, M12
Number of pins	8
Pin assignment	1 WH, 2 BN, 3 GN, 4 YE, 5 GY, 6 PK, 7 BU, 8 RD
Coding	A
Rated voltage	30V
Current load per pin (at 40°C)	2A
Insulation resistance	$\geq 10^9 \Omega$
Ambient temperature product	-30°C...+90°C
Contact material	Metal, CuZn, gold-plated
Contact-carrier material	Plastic, PA GF, BK
Receptacle housing material	Metal, CuZn, nickel-plated
Sealing (female) material	FPM/FKM
Material of external sealing	NBR
Mounting direction	Front wall-mounting (without fixing screw)
Wire length	0.50m
Wire colors	WH, BN, GN, YE, GY, PK, BU, RD
Connecting type	Wire contact
Wire cross-section	8 x 0.25 mm <sup>2</sup>
Wire insulation material	PVC
Adjustable fixing screw	Yes
Fastening thread	M16x1.5

Standards	IEC 61076-2-101
Degree of protection (mounted)	IP65, IP67, IP68
Mechanical life-cycle	>100 mating cycles
Degree of pollution	3
Wire cross-section	8 x 0.25 mm <sup>2</sup>
Style	straight
<b>Classification</b>	
eCl@ss 6.0	27279220
eCl@ss 7.0	27440103
eCl@ss 8.0	27440103
eCl@ss 9.0	27440103
ETIM 5.0	EC002061
ETIM 6.0	EC002061