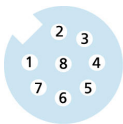
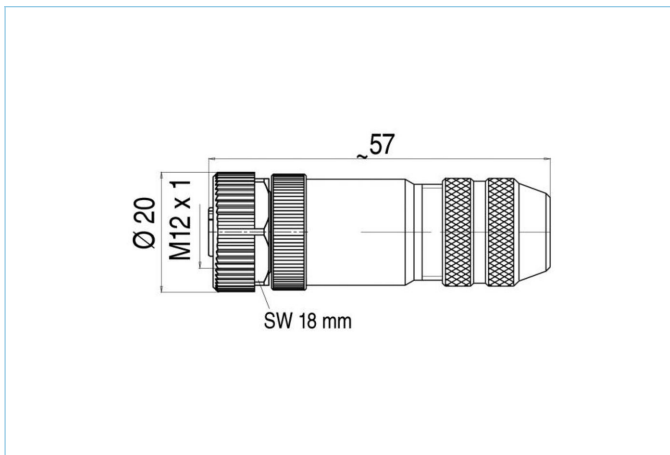
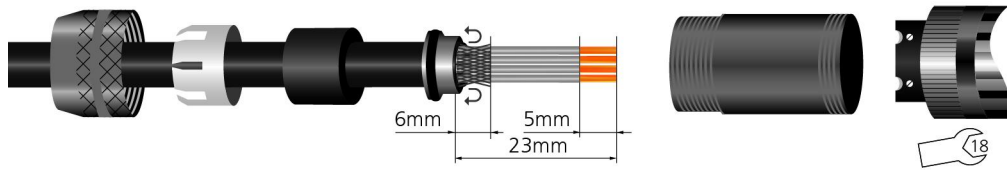


Field-wireable, M12, female, straight, 8 poles, screw-/clamp contact, shielded, 30V 2A



Product data	
Item description	WAKCS8K
Item-No.	8035193
Customs tariff-No.	85366990
Step-File	WAKCS8K.stp
EAN	4047106000653
Technical data	
Connector	female, straight, M12
Number of pins	8
Coding	A
Rated voltage	30V
Current load per pin (at 40°C)	2A
Insulation resistance	≥10 ⁹ Ω
Resistance	≤ 3mΩ
Ambient temperature product	-40°C...+85°C
Contact material	Metal, CuZn, gold-plated
Contact-carrier material	Plastic, PA, BK
Grip body material	Zinc die-cast, nickel-plated
Coupling nut material	Metal, GD-ZN, nickel-plated
Shielding	with shielding
Connecting cross-section	max. 0,50 mm ²
Cable outlet	6...8 mm
Connecting type	Screw-/clamp contact
Standards	IEC 61076-2-101
Degree of protection (mounted)	IP67
Mechanical life-cycle	>100 mating cycles
Degree of pollution	3
Style	straight

Manual



Classification

eCl@ss 6.0	27260702
eCl@ss 7.0	27440102
eCl@ss 8.0	27440102
eCl@ss 9.0	27440102
ETIM 5.0	EC002635
ETIM 6.0	EC002635

Link to product

<https://www.escha.net/en/products/standard/field-wireable-connectors/8035193>