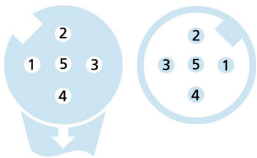
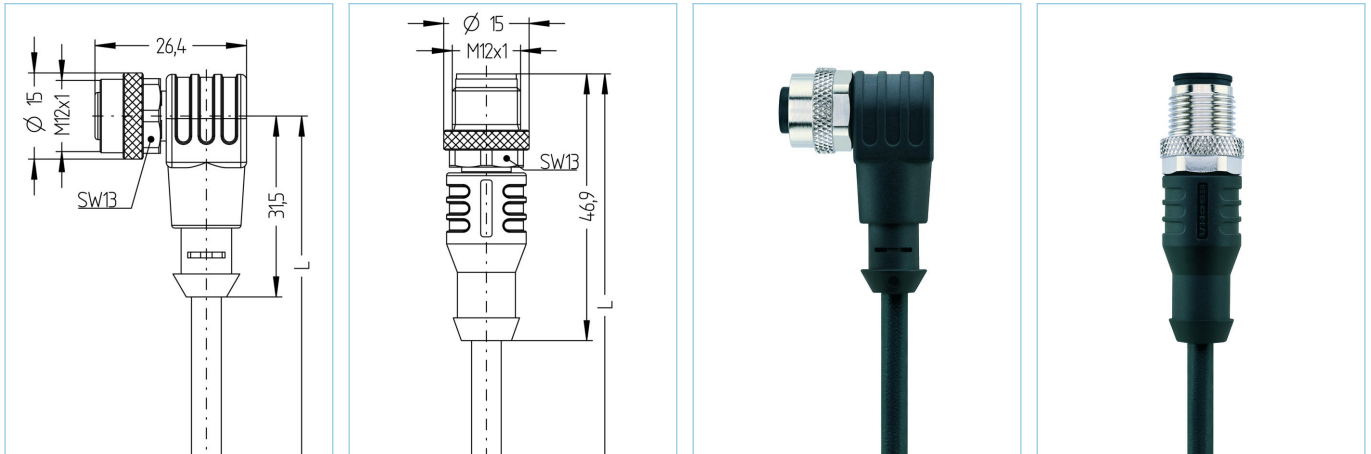


M12, female, angled, 5 poles, M12, male, straight, 5 poles, CANopen/DeviceNet



CANopen



| Product data | | |
|--------------------------------|---|---|
| Item description | CD-WWAK5.022-1-CD-WAS5.022/S2800 | |
| Item-No. | 8051937 | |
| Length | 1m | |
| Customs tariff-No. | 85444290 | |
| Step-File | CD-WWAK5-m-CD-WAS5.stp | |
| EAN | 4047106092795 | |
| Label-carrier | 2 pieces | |
| Technical data | A-side | B-side |
| Connector | female, angled, M12 | male, straight, M12 |
| Number of pins | 5 | 5 |
| Pin assignment | 1 (GND), 2 RD (+), 3 BK (-), 4 WH (CAN_H), 5 BU (CAN_L) | 1 (GND), 2 RD (+), 3 BK (-), 4 WH (CAN_H), 5 BU (CAN_L) |
| Coding of | A | A |
| Rated voltage | 60V | 60V |
| Current load (at 40°C) | 4A | 4A |
| Insulation resistance | $\geq 10^9 \Omega$ | $\geq 10^9 \Omega$ |
| Resistance | $\leq 5 m\Omega$ | $\leq 5 m\Omega$ |
| Ambient temperature product | -30°C...+90°C | -30°C...+90°C |
| Contact material | Metal, CuZn, gold-plated | Metal, CuZn, gold-plated |
| Contact-carrier material | Plastic, TPU, BK | Plastic, TPU, BK |
| Grip body material | Plastic, TPU, BK | Plastic, TPU, BK |
| Coupling nut material | Metal, CuZn, nickel-plated | Metal, CuZn, nickel-plated |
| Sealing (female) material | FPM/FKM | |
| Standards | IEC 61076-2-101 | IEC 61076-2-101 |
| Degree of protection (mounted) | IP65, IP67, IP68 | IP65, IP67, IP68 |
| Mechanical life-cycle | >100 mating cycles | >100 mating cycles |
| Degree of pollution | 3 | 3 |

| | |
|--------------|--|
| Cable | PUR, UL, S2800, CANopen/DeviceNet |
|--------------|--|

UL- and CSA-listed shielded PUR-cable for automation technology. As a data transmitter, it supports CANopen as well as DeviceNetbased fieldbuses. High transmission rates enable transport of real-time data. Due to the constructive setup and the materials used, increased mechanical stresses (abrasion, bending, vibrations etc.) do not pose any restrictions to the application. Drag-chain application is possible. (>2.5million bending cycles).

| | |
|------------------------------|--|
| Outer diameter of jacket | 6.90 mm |
| Cable-jacket material | PUR |
| Jacket color | BK, similar RAL9005 |
| Wire cross-section | 2 x 0.25 mm ² + 2 x 0.34 mm ² |
| Wire insulation material | PE/PP |
| Wire colors | WH, BU, RD, BK |
| Wire structure | 19 x 0.13mm (0.25mm ²), 19 x 0.15mm (0.34mm ²) |
| Bending radius (fixed) | 5 x Ø-cable |
| Bending radius (repeated) | 10 x Ø-cable |
| Temperature range (repeated) | -25°C...+80°C |
| Temperature range (fixed) | -50°C...+80°C |
| Drag chain-application | >2.5Mio. cycles |
| Shielding | Yes, with stranded wire |
| Halogen-free | Yes |
| Rated voltage cable | ≤300 V |
| Special features | flame retardant, seawater resistant, recyclable, LABS free, RoHs compliant, acid- and alkali resistant, ozone resistant, UV resistant, hydrolysis proof, drag chain-adapted, halogen free, oil resistant, microbes resistant |

| | |
|-----------------------|--|
| Classification | |
|-----------------------|--|

| | |
|------------|----------|
| eCl@ss 6.0 | 27279218 |
| eCl@ss 7.0 | 27279218 |
| eCl@ss 8.0 | 27279218 |
| eCl@ss 9.0 | 27060311 |
| ETIM 5.0 | EC001855 |
| ETIM 6.0 | EC001855 |

| |
|--------------------|
| Accessories |
|--------------------|

Mounting-set, M12
<https://www.escha.net/en/products/standard/accessories-for-connectivity/8047664>

Torque-wrench set
<https://www.escha.net/en/products/standard/accessories-for-connectivity/8055431>

Marking rings Ø 9mm
<https://www.escha.net/en/products/standard/accessories-for-connectivity/?p=1&o=3&n=15&f=809>

| |
|------------------------|
| Link to product |
|------------------------|

<https://www.escha.net/en/products/standard/data-connectors/8051937>