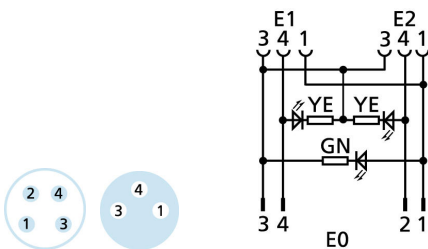
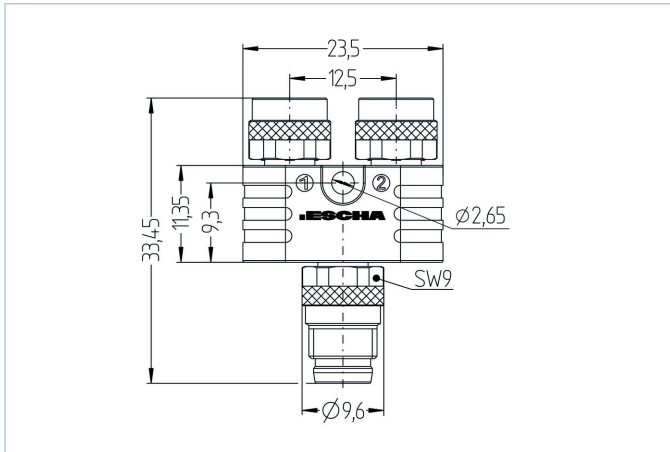


Y-splitter, M8, MB



Product data

Item description	MB-SSP4-2SKP3P3/S56
Item-No.	8052223
Customs tariff-No.	85366990
Step-File	MB-SSP4-2SKP3P3.stp
EAN	4047106115913

	Exit 0	Exit 1	Exit 2
Connector	male, M8, with LED	female, M8, with LED	female, M8, with LED
Contact material	Metal, CuZn, gold-plated	Metal, CuZn, gold-plated	Metal, CuZn, gold-plated
Contact-carrier material	Plastic, TPU, BK	Plastic, TPU, BK	Plastic, TPU, BK
Coupling nut material	Metal, CuZn, nickel-plated	Metal, CuZn, nickel-plated	Metal, CuZn, nickel-plated
Rated voltage	30V	30V	30V
Number of pins	4	3	3
Current load (at 40°C)	4A	4A	4A
Insulation resistance	≥10 ⁹ Ω		
Ambient temperature product	-30°C...+90°C		
Operating voltage-indicator	LED GN		
Signal status-indicator	LED YE/YE		
Grip body material	Plastic, TPU, transparent		
Sealing (female) material	FPM/FKM		
Mechanical life-cycle	>100 mating cycles		
Standards	IEC 61076-2-104		
Degree of protection (mounted)	IP65, IP67, IP68		
Degree of pollution	3/2		

Classification

eCl@ss 6.0	27279201
eCl@ss 7.0	27279201
eCl@ss 8.0	27279201
eCl@ss 9.0	27440106
ETIM 5.0	EC002062
ETIM 6.0	EC002925