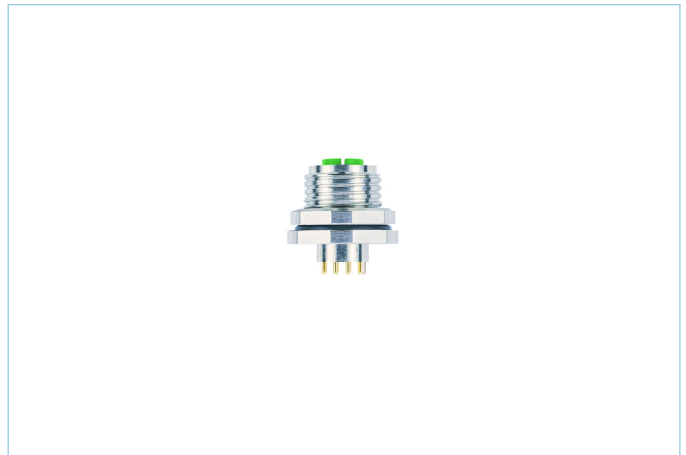
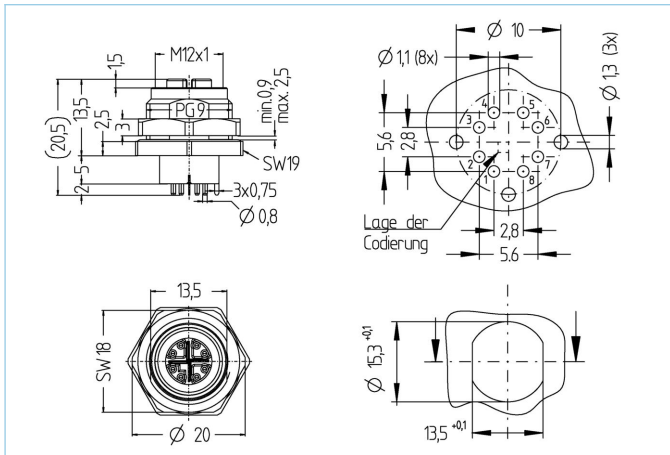


Receptacle, M12, female, straight, 8 poles, X-coded, back wall-mounting, print contact, shielded, Industrial Ethernet



Product data

| | |
|--------------------|------------------|
| Item description | IE-FKFDHSX8-P |
| Item-No. | 8053485 |
| Customs tariff-No. | 85366990 |
| Packaging unit | 10 |
| Step-File | IE-FKFDHSX8-Pstp |
| EAN | 4047106139223 |

Technical data

| | |
|--------------------------------|---|
| Connector | female, straight, M12 |
| Number of pins | 8 |
| Coding | X |
| Rated voltage | 50V _{AC} 60V _{DC} |
| Current load per pin (at 40°C) | 0.5A |
| Insulation resistance | ≥10 ⁹ Ω |
| Transmission features | Cat6A |
| Ambient temperature product | -25°C...+85°C |
| Contact material | Metal, CuZn, gold-plated |
| Contact-carrier material | Plastic, PA, GN |
| Receptacle housing material | Metal, CuZn, nickel-plated |
| Sealing (female) material | FPM/FKM |
| Shielding | with shielding |
| Mounting direction | Back wall-mounting modular (incl. Fixing screw) |
| Wall thickness area (Δh) | 0,9...2,5 mm |
| Connecting type | Print contact |
| Adjustable fixing screw | Yes |
| Standards | IEC 61076-2-109 |
| Degree of protection (mounted) | IP65, IP67, IP68 |
| Mechanical life-cycle | >100 mating cycles |
| Degree of pollution | 2 |
| Style | straight |

Advanced technical data rail approved

| | |
|--------------------------------|--|
| Standards | DIN EN 50155, DIN EN 45545-2 |
| Shock & vibration | Class 1, Category B (DIN EN 61373) |
| Degree of protection (mounted) | IP67 (-30°C...+90°C), IP65 (-40°C...+90°C) |
| Temperature range | Tx (-40°C...+90°C) |
| Fire prevention according to | DIN EN 45545-2 HL1-3 |

Classification

| | |
|------------|----------|
| eCl@ss 6.0 | 27279220 |
| eCl@ss 7.0 | 27440103 |
| eCl@ss 8.0 | 27440103 |
| eCl@ss 9.0 | 27440103 |
| ETIM 5.0 | EC002061 |
| ETIM 6.0 | EC002061 |

Link to product

<https://www.escha.net/en/products/standard/receptacles/8053485>