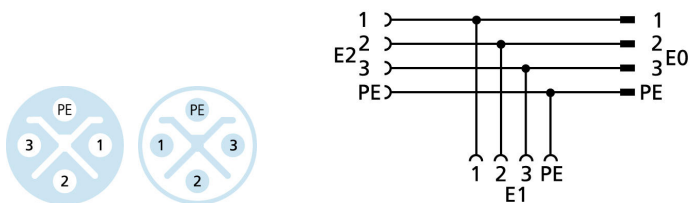
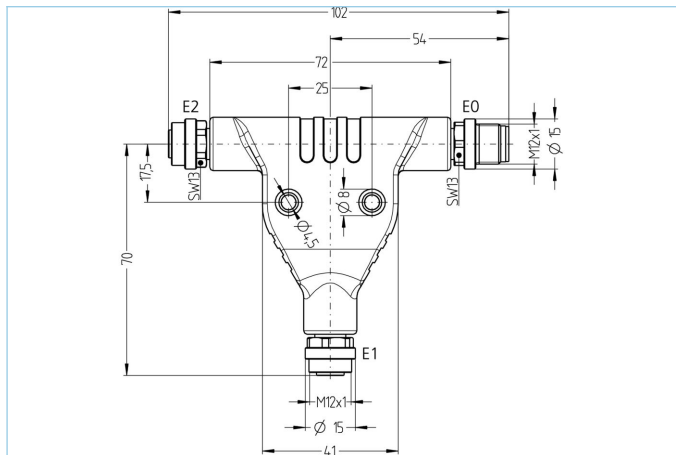


T-splitter, M12, male, straight, 3+PE, S-coded, M12, female, straight, 3+PE, S-coded, M12, female, straight, 3+PE, S-coded, POWER



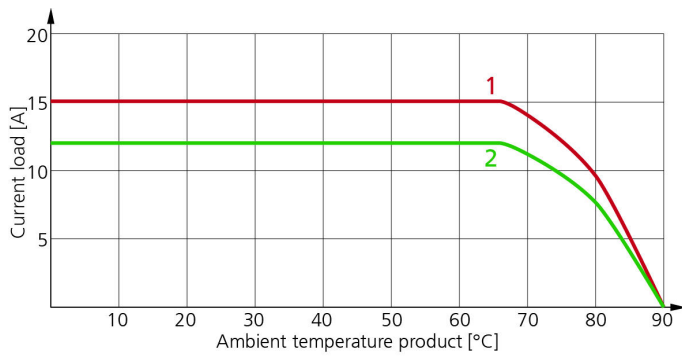
**Product data**

Item description	PS-TM12-S4-2K4
Item-No.	8062858
Customs tariff-No.	85366990
Step-File	PS-TM12-S4-2K4.stp
EAN	4047106149079

	Exit 0	Exit 1	Exit 2
Connector	male, M12	female, M12	female, M12
Contact material	Metal, CuZn, gold-plated	Metal, CuZn, gold-plated	Metal, CuZn, gold-plated
Contact-carrier material	Plastic, PA, BK	Plastic, PA, BK	Plastic, PA, BK
Coupling nut material	Metal, CuZn, nickel-plated	Metal, CuZn, nickel-plated	Metal, CuZn, nickel-plated
Rated voltage	630V <sub>AC</sub>   600V <sub>AC</sub> (UL)	630V <sub>AC</sub>   600V <sub>AC</sub> (UL)	630V <sub>AC</sub>   600V <sub>AC</sub> (UL)
Coding of	S	S	S
Number of pins	3+PE	3+PE	3+PE
Current load (at 40°C)	12A	12A	12A

Insulation resistance	≥10 <sup>8</sup> Ω
Ambient temperature product	-30°C...+90°C
Grip body material	Plastic, TPU, BK
Sealing (female) material	FPM/FKM
Mechanical life-cycle	>100 mating cycles
Standards	IEC 61076-2-111
Degree of protection (mounted)	IP65, IP67, IP68
Degree of pollution	3

### Derating curve according to DIN 60512-5-2



1: Base curve

2: Derived curve according to DIN 60512-5-2 with correction factor 0,8

### UL installation note

[https://www.escha.net/media/pdf/ESCHA\\_Kundeninformation\\_M12x1\\_POWER\\_UL\\_2020.pdf](https://www.escha.net/media/pdf/ESCHA_Kundeninformation_M12x1_POWER_UL_2020.pdf)

### Classification

eCl@ss 6.0	27279201
eCl@ss 7.0	27279201
eCl@ss 8.0	27279201
eCl@ss 9.0	27440106
ETIM 5.0	EC002062
ETIM 6.0	EC002925

### Link to product

<https://www.escha.net/en/products/standard/power-connectors/8062858>