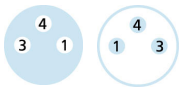
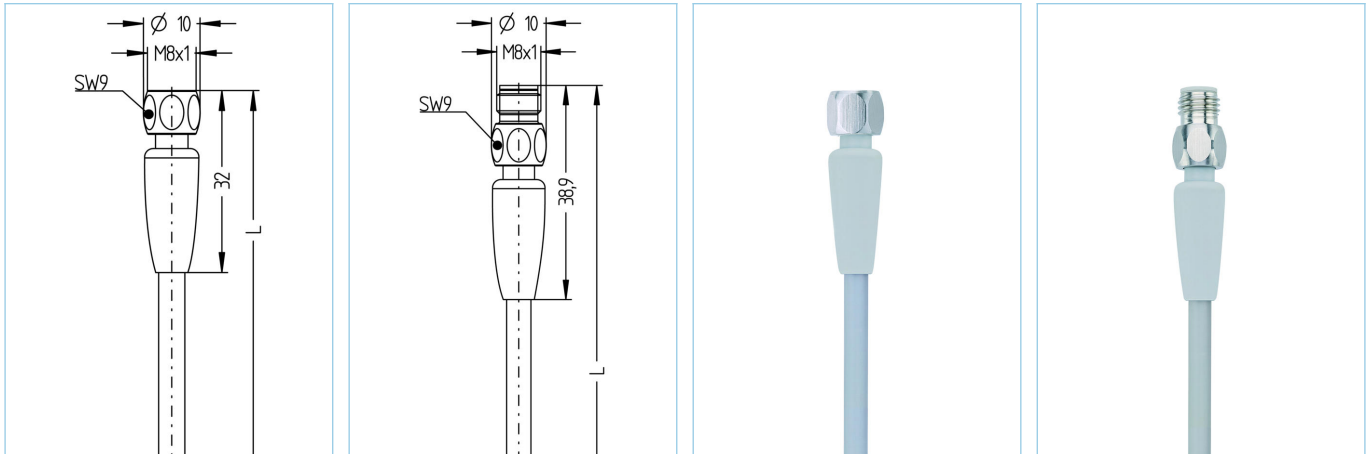


## M8, female, straight, 3 poles, M8, male, straight, 3 poles, Food & Beverage



### Product data

|                    |                         |
|--------------------|-------------------------|
| Item description   | FB-SKPH3-1-FB-SSPH3/P01 |
| Item-No.           | 8063864                 |
| Length             | 1m                      |
| Customs tariff-No. | 85444290                |
| Step-File          | FB-SKPH3-L-FB-SSPH3.stp |
| EAN                | 4047106151737           |

### Technical data

|                                | A-side                   | B-side                   |
|--------------------------------|--------------------------|--------------------------|
| Connector                      | female, straight, M8     | male, straight, M8       |
| Number of pins                 | 3                        | 3                        |
| Pin assignment                 | 1 BN, 3 BU, 4 BK         | 1 BN, 3 BU, 4 BK         |
| Rated voltage                  | 60V                      | 60V                      |
| Current load (at 40°C)         | 4A                       | 4A                       |
| Insulation resistance          | $\geq 10^9 \Omega$       | $\geq 10^9 \Omega$       |
| Ambient temperature product    | -40°C...+105°C           | -40°C...+105°C           |
| Contact material               | Metal, CuZn, gold-plated | Metal, CuZn, gold-plated |
| Contact-carrier material       | Plastic, PP, GY          | Plastic, PP, GY          |
| Grip body material             | Plastic, PP, GY          | Plastic, PP, GY          |
| Coupling nut material          | Stainless steel, V4A     | Stainless steel, V4A     |
| Sealing (female) material      | EPDM                     |                          |
| Standards                      | IEC 61076-2-104          | IEC 61076-2-104          |
| Degree of protection (mounted) | IP65, IP67, IP68, IP69   | IP65, IP67, IP68, IP69   |
| Mechanical life-cycle          | >100 mating cycles       | >100 mating cycles       |
| Degree of pollution            | 3                        | 3                        |

|              |                         |
|--------------|-------------------------|
| <b>Cable</b> | <b>PVC, UL, P01, GY</b> |
|--------------|-------------------------|

PVC-cable for measurement and control-, and sensor technology. Suitable for applications in dry areas on packaging machines, assembly- and conveyor technology. High flexibility with unstressed movement (conditional drag-chain application possible). Predestined for applications in food- and beverage industry.

|                              |  |
|------------------------------|--|
| Outer diameter of jacket     | 4.30 mm  |
| Cable-jacket material        | PVC  |
| Jacket color                 | GY, similar RAL7040  |
| Wire cross-section           | 3 x 0.25 mm <sup>2</sup>   |
| Wire insulation material     | PVC  |
| Wire colors                  | BN, BU, BK   |
| Wire structure               | 14 x 0.15 mm   |
| Bending radius (fixed)       | 5 x Ø-cable  |
| Bending radius (repeated)    | 10 x Ø-cable   |
| Temperature range (repeated) | 0°C...+80°C  |
| Temperature range (fixed)    | -25°C...+80°C  |
| Rated voltage cable          | ≤300 V   |
| Special features             | seawater resistant, recyclable, LABS free, RoHs compliant, acid- and alkali resistant, ozone resistant, UV resistant |

|                       |
|-----------------------|
| <b>Classification</b> |
|-----------------------|

|            |          |
|------------|----------|
| eCl@ss 6.0 | 27279218 |
| eCl@ss 7.0 | 27279218 |
| eCl@ss 8.0 | 27279218 |
| eCl@ss 9.0 | 27060311 |
| ETIM 5.0   | EC001855 |
| ETIM 6.0   | EC001855 |

|                    |
|--------------------|
| <b>Accessories</b> |
|--------------------|

Mounting-set, M8  
<https://www.escha.net/en/products/standard/accessories-for-connectivity/8047663>

Torque-wrench set  
<https://www.escha.net/en/products/standard/accessories-for-connectivity/8055431>

Marking rings Ø 9mm  
<https://www.escha.net/en/products/standard/accessories-for-connectivity/?p=1&o=3&n=15&f=809>

|                        |
|------------------------|
| <b>Link to product</b> |
|------------------------|

<https://www.escha.net/en/products/standard/connectors-for-the-food-industry/8063864>