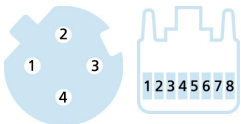
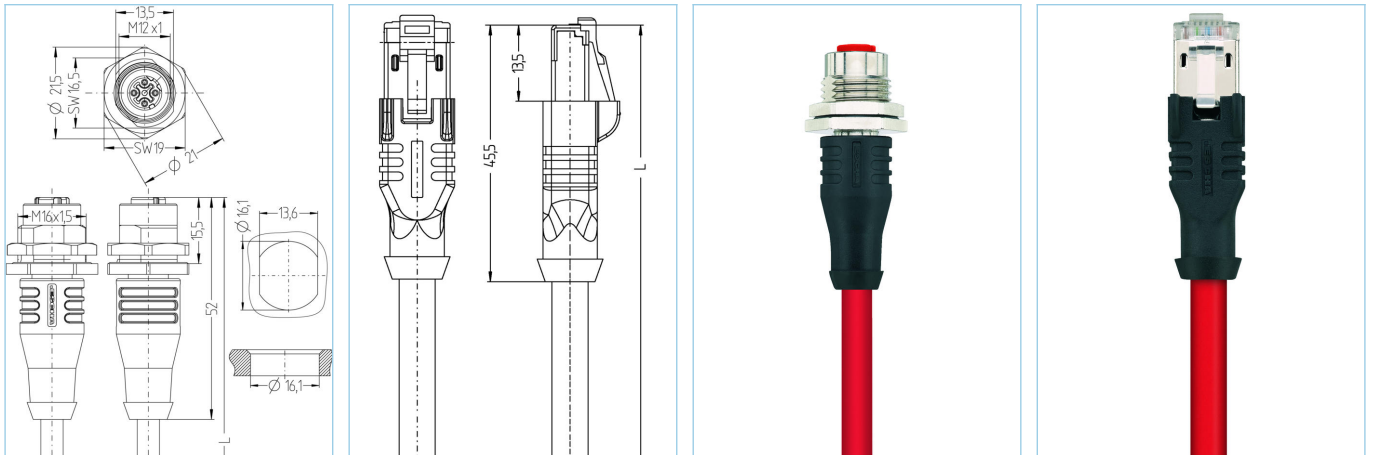


Receptacle Double-ended cordset, M12, female, straight, 4 poles, D-coded, RJ45, male, straight, 4 poles, shielded, Industrial Ethernet



SERCOS
the automation bus



Product data

| | |
|--------------------|---------------------------------------|
| Item description | IE-FKFDSY4.029-5-IE-RJ45SS4.003/S3800 |
| Item-No. | 8064028 |
| Length | 5m |
| Customs tariff-No. | 85444290 |
| Step-File | IE-FKFDSY4-m-IE-RJ45SS4.stp |
| EAN | 4047106152741 |

| Technical data | A-side | B-side |
|--------------------------------|----------------------------|----------------------------|
| Connector | female, straight, M12 | male, straight, RJ45 |
| Number of pins | 4 | |
| Pin assignment | 1 YE, 2 WH, 3 OG, 4 BU | 1 YE, 3 WH, 2 OG, 6 BU |
| Coding of | D | |
| Rated voltage | 250V | 50V |
| Current load (at 40°C) | 4A | 1A |
| Insulation resistance | ≥10 ⁹ Ω | |
| Transmission features | Cat5e | Cat5e |
| Ambient temperature product | -30°C...+90°C | -40°C...+70°C |
| Contact material | Metal, CuSn, gold-plated | Metal, CuZn, gold-plated |
| Contact-carrier material | Plastic, PA, GN | Plastic |
| Grip body material | Plastic, TPU, BK | Plastic, TPU, BK |
| Receptacle housing material | Metal, CuZn, nickel-plated | |
| Sealing (female) material | FPM/FKM | |
| Material of external sealing | NBR | |
| Shielding | with shielding | with shielding |
| Material of shielding housing | | Metal, CuZn, nickel-plated |
| Standards | IEC 61076-2-101/-109 | IEC 60603-7-5 |
| Degree of protection (mounted) | IP65, IP67, IP68 | IP20 |
| Mechanical life-cycle | >100 mating cycles | >750 mating cycles |
| Degree of pollution | 3 | 1 |

Advanced technical data UL

| | |
|---------------|----------------------|
| Rated voltage | 48V _{AC/DC} |
| Rated current | 1,0V |

Cable Cat5e, PUR, UL, S3800, Sercos

Shielded PUR-cable for industrial applications. The cable is CMX-verified or meets the Cat5e (electrical properties of EN 50288-2-1) requirements. Materials and a constructive setup allow for increased mechanical stresses (abrasion, bending, vibrations etc.) of the cable. A drag-chain application with up to 3million bending cycles is possible.

| | |
|--------------------------------|--|
| Outer diameter of jacket | 6.50 mm |
| Cable-jacket material | PUR |
| Jacket color | RD, similar RAL3020 |
| Wire cross-section | 1 x 4 x AWG22, star quad |
| Wire insulation material | FRNC |
| Wire colors | OG, WH, BU, YE |
| Wire structure | 7 x 0.254 mm |
| Bending radius (fixed) | 4 x Ø-cable |
| Bending radius (repeated) | 8 x Ø-cable |
| Temperature range (repeated) | -40°C...+80°C |
| Temperature range (fixed) | -40°C...+80°C |
| Temperature range (drag chain) | -40°C...+80°C |
| Drag chain-application | up to 3 Mio. bending cycles |
| Halogen-free | Yes |
| Transmission features | Cat5e |
| Rated voltage cable | 300 V UL rating |
| Special features | flame retardant, seawater resistant, recyclable, LABS free, RoHs compliant, acid- and alkali resistant, ozone resistant, UV resistant, hydrolysis proof, drag chain-adapted, halogen free, oil resistant, high flexibility, microbes resistant |

Classification

| | |
|------------|----------|
| eCl@ss 6.0 | 27060307 |
| eCl@ss 7.0 | 27060307 |
| eCl@ss 8.0 | 27060307 |
| eCl@ss 9.0 | 27060307 |
| ETIM 5.0 | EC000830 |
| ETIM 6.0 | EC000830 |

Link to product

<https://www.escha.net/en/products/standard/data-connectors/8064028>