



Capacitive Sensors Series 80 - PNP

Housing M 30 x 1.5

- For use in zone 22
- Housing material: PA / PPO
- Sensing distance 2...25 mm adjustable
- With flange connector M 12 x 1

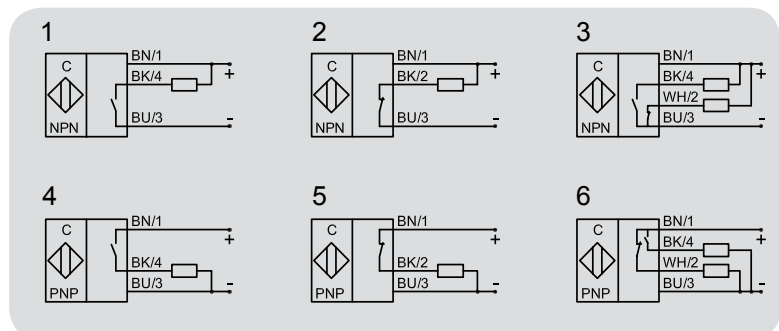
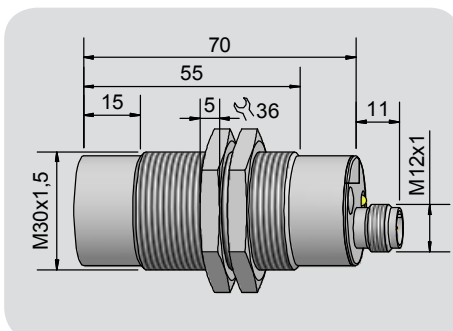
With manufacturer certificate

Ex II 3D Ex mc IIIC T101°C Dc IP67 X



Technical data	Non-flush mountable
Operating distance S_n	15 mm
Operating distance min. / max. adjustable	2...25 mm
Electrical version	4-pin DC
Output	Antivalent (NO+NC)
Type PNP	KAS-80-A24-A-K-Y3-3D-NL
Art.-No.	KA 0734
Connection diagram No.	6
Operating voltage (U_B)	12...30 V DC
Voltage drop max. (U_d)	≤ 2.0 V
Permitted residual ripple max.	5 %
Operating current (I_e)	2 x 0...200 mA
No-load current (I_o)	< 15 mA
Frequency of operating cycles max.	50 Hz
Permitted ambient temperature	-25...+70 °C
LED-display	Yellow
Protective circuit	Built-in
Degree of protection IEC 60529	IP 67*
Norm	EN 60947-5-2
Connection	Flange connector M 12 x 1
Housing material	PA / PPO
Active surface	PA / PPO
Lid	PA / PPO
Accessories (delivered with the sensor)	2 nuts M 30 x 1.5, Protective clip

* With sealed potentiometer screw



Made in Germany

All specifications are subject to change without notice. (21.06.2016)