



Capacitive Sensors Series 80 - PNP

Housing M 30 x 1.5

- Housing material: PA / PPO
- Sensing distance 2...20 mm adjustable

With manufacturer certificate

for use in zone 2

for use in zone 22

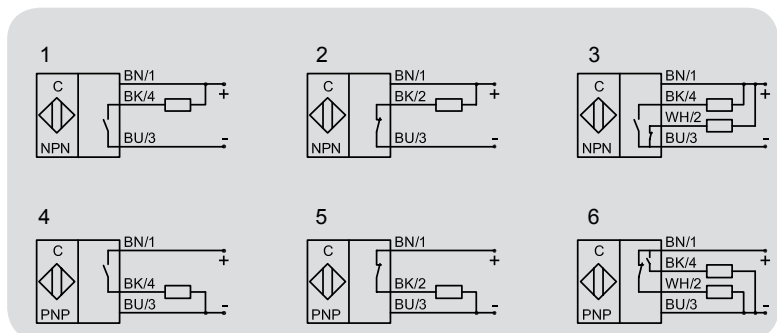
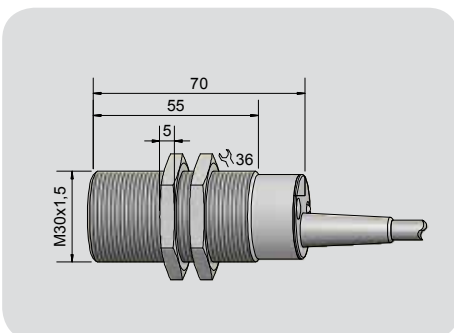
Ex II 3G Ex nA IIC T6 Gc X

Ex II 3D Ex mc IIIC T101°C Dc IP67 X



Technical data	Flush mountable
Operating distance S_n	10 mm
Operating distance min. / max. adjustable	2...20 mm
Electrical version	4-wire DC
Output	Antivalent (NO + NC)
Type PNP	KAS-80-A14-A-K-3G-3D-NL
Art.-No.	KA 0817
Connection diagram No.	6
Operating voltage (U_b)	12...30 V DC
Voltage drop max. (U_d)	≤ 2.0 V
Permitted residual ripple max.	5 %
Operating current (I_o)	2 x 0...200 mA
No-load current (I_o)	< 15 mA
Frequency of operating cycles max.	150 Hz
Permitted ambient temperature	-25...+70 °C
LED-display	Yellow
Protective circuit	Built-in
Degree of protection IEC 60529	IP 67*
Norm	EN 60947-5-2
Connection cable	2 m, PVC, 4 x 0.5 mm ²
Housing material	PA / PPO
Active surface	PA / PPO
Lid	PA / PPO
Accessories (delivered with the sensor)	2 nuts M 30 x 1.5

* With sealed potentiometer screw



Made in Germany

All specifications are subject to change without notice. (21.06.2016)