



Capacitive Sensors - ATEX Series 95 - AC / DC - Relay output

Housing M 30 x 1.5

- Housing material: Brass
- Sensing distance 2...20 mm adjustable
- Normally open and normally closed function
- Potential-free change-over contact
- Switch-on and switch-off delay changeable
- Adjustable timer 1 sec. - 10 min.

With manufacturer certificate

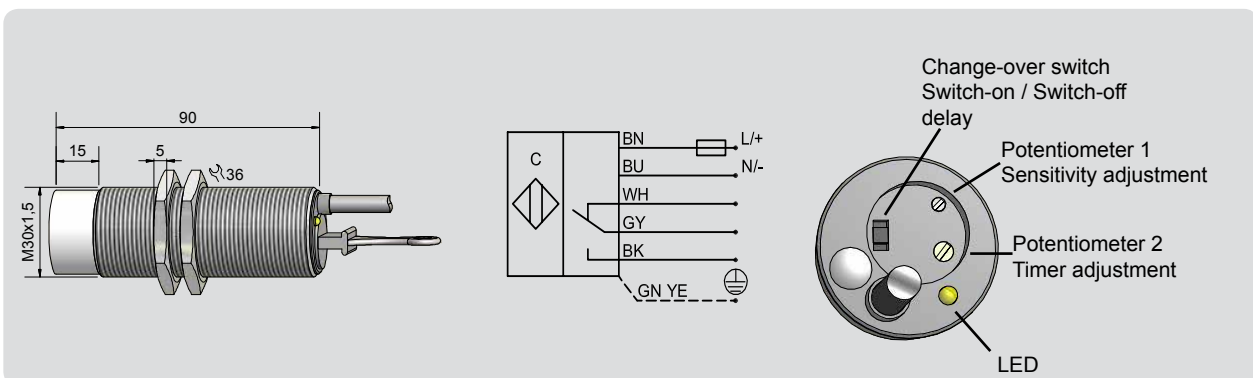
for use in zone 22 (dust)

Ex II 3D Ex mc IIIC T101 °C Dc IP67 X



Technical data

Level sensor, in contact with the product	Non-flush mountable
Operating distance min. / max. adjustable	Medium dependent adjustable
Electrical version	2...20 mm
Output	5-wire AC / DC
Type	Relay, 1 CO
Art.-No.	KAS-95-A24-1CO-PTFE/MS-TD-3D
Operating voltage (U _B)	KA 1008
Load max. AC (I, U, P)	20...250 V AC / DC
Load max. DC (I, U, P)	2 A, 250 V, 60 VA
No-load current (I ₀)	2 A, 220 V, 60 W
Frequency of operating cycles max.	2.1 mA
Permitted ambient temperature	2 Hz
LED-display	-20...+70 °C
Protective circuit	Yellow
Degree of protection IEC 60529	Built-in
Norm	IP 67*
Connection cable	EN 60947-5-2
Housing material	2 m, PVC, 6 x 0.34 mm ²
Active surface	Brass
Lid	PTFE (FDA 21 CFR 177.1550)
Accessories (supplied with the sensor):	PBT
Accessories (not supplied with the sensor):	2 nuts M 30 x 1,5
	Control tube and sensor holder please see our selection of accessories.



*With sealed potentiometers

Made in Germany

All specifications are subject to change without notice. (12.11.2019)