

Capacitive Sensors

Series 80 - PNP

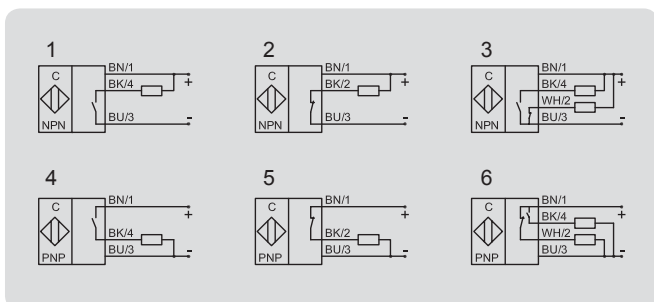
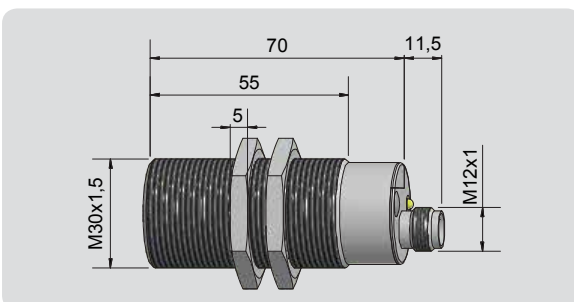
Housing M 30 x 1,5

- Housing material: PA / PPO
- Sensing distance 2...20 mm adjustable

⊕ II 3D IP67 T101°C X with manufacturer certificate for zone 22



Technical data	Flush mountable
Operating distance S_n	10 mm
Operating distance min. / max. adjustable	2...20 mm
Electrical version	4-wire DC
Output	Antivalent (NO + NC)
Type NPN	
Art.-No.	
Connection diagram No.	
Type PNP	KAS-80-A14-A-K-Y3-NL-3D
Art.-No.	KA 1040
Connection diagram No.	6
Operating voltage (U_B)	12...30 V DC
Voltage drop max. (U_d)	≤ 2.0 V
Permitted residual ripple max.	5 %
Operating current (I_e)	2 x 0...200 mA
No-load current (I_o)	< 15 mA
Frequency of operating cycles max.	150 Hz
Permitted ambient temperature	-25...+70 °C
LED-display	Yellow
Protective circuit	Built-in
Degree of protection IEC 60529	IP 67
Norm	EN 60947-5-2
Connection	Connector M 12 x 1
Housing material	PA / PPO
Active surface	PA / PPO
Lid	PA / PPO



Made in Germany

All specifications are subject to change without notice. (13.08.2015)