



Capacitive Sensors Series 80 - PNP

Housing \varnothing 26 mm

- Housing material: Stainless steel VA No. 1.4404 (AISI 316L)
- Sensing distance 0,5...20 mm adjustable
- With flange connector M 12 x 1

With manufacturer certificate

for use in zone 2

for use in zone 22

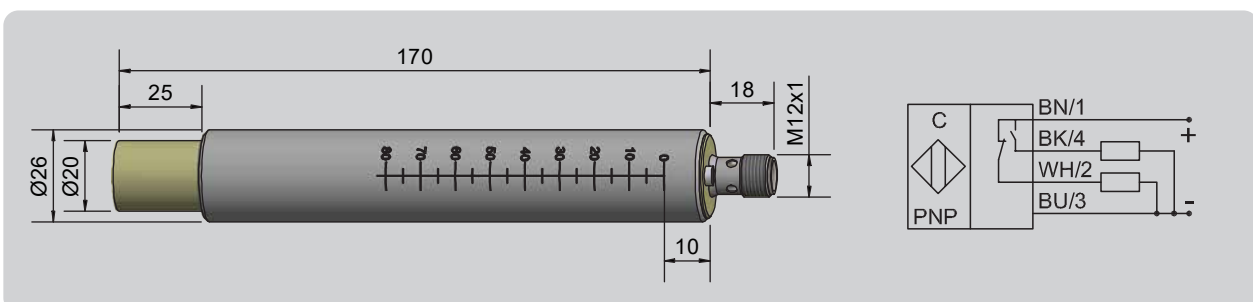
Ex II 3G Ex nA IIC T6 Gc X

Ex II 3D Ex mc IIIC T101°C Dc IP67 X



Technical data	Non-flush mountable
Operating distance S_n	12 mm
Operating distance min./max. adjustable	0.5...20 mm
Electrical version	4-pin DC
Output	Antivalent
Type PNP	KAS-80-23/170-A-D26-PEEK/VAb-Y5-1-HP-3G-3D
Art.-No.	KA 1044
Operating voltage (U_B)	10...35 V DC
Voltage drop max. (U_d)	≤ 2.0 V
Permitted residual ripple max.	10 %
No-load current (I_o)	Typ. 15 mA
Operating current (I_e)	2 x 0...150 mA
Frequency of operating cycles max.	100 Hz
Permitted ambient temperature	-25...+70 °C
LED-display	Yellow
Protective circuit	Built-in
Degree of protection IEC 60529	IP 67
Norm	EN 60947-5-2
Connection	Flange connector M 12 x 1 (A-coded)
Housing material	VA No. 1.4404 (AISI 316L)
Active surface	PEEK (FDA 21 CFR 177.2415)
Lid	PEEK (FDA 21 CFR 177.2415) / VA No. 1.4404 (AISI 316L)
Accessories (delivered with the sensor)	Protective clip
Matching connectors (not delivered with the sensor)	#193391, #193392

All specifications are subject to change without notice. (21.10.2021)



* With sealed potentiometer screw

Made in Germany