



## Capacitive Sensors Serie 40 - NAMUR EN 60947-5-6

Housing M 30 x 1.5

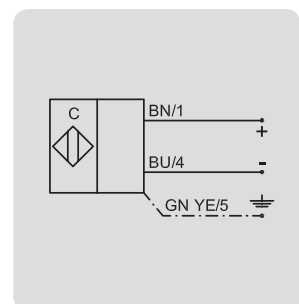
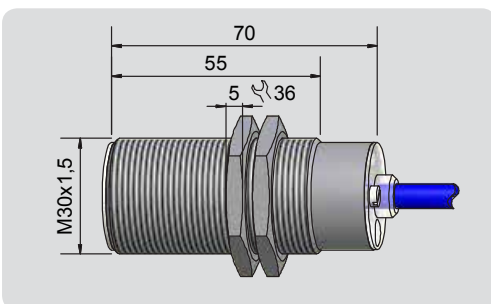
- For use in areas with the risk of dust explosion, zone 20
- For use in areas with the risk of gas explosion, zone 0
- Housing material: Stainless Steel VA No. 1.4305 (AISI 303)
- Sensing distance 2...15 mm adjustable

DMT 03 ATEX E 048	IECEX BVS 07.0031
Ex II 1G Ex ia IIC T1-T6 Ga	Ex ia IIC T1-T6 Ga
Ex II 1D Ex ia IIIC T101°C Da	Ex ia IIIC T101°C Da



<b>Technical data</b>	Flush mountable
Operating distance $S_n$	10 mm
Operating distance min. / max. adjustable	2...15 mm
Electrical version	2-wire DC
Output	NAMUR DIN 60947-5-6
<b>Type</b>	<b>KAS-40-A14-N-StEx</b>
<b>Art. No.</b>	<b>KA 1197</b>
Operating voltage ( $U_B$ )	5 - 15 V DC, $U_i = 15$ V DC
Output current active surface free	< typ. 1.5 mA
Output current active surface covered	> typ. 2.5 mA
Self-inductance (L)	0.2 mH
Self-capacitance (C)	250 nF
Permitted residual ripple max.	5 %
Frequency of operating cycles max.	50 Hz
Permitted ambient temperature	-20...+70 °C
LED-display	Yellow
Degree of protection IEC 60529	IP 67
Connection cable	2 m, PUR, 3 x 0.75 mm <sup>2</sup>
Housing material	Stainless Steel VA No. 1.4305 (AISI 303)
Active surface	PTFE (FDA 21 CFR 177.1550)
Lid	PC (FDA 21 CFR 177.1580)
<b>Accessories</b> (delivered with the unit)	2 nuts M 30 x 1,5

All specifications are subject to change without notice. (15.01.2018)



**Made in Germany**