



Capacitive Sensors with Analogue Output Series 40 - NAMUR Output current 4...20 mA

Housing M 18 x 1

- For use in areas with the risk of gas explosion, zone 0
- Housing material: Brass
- Operating range 0...8 mm

DMT 03 ATEX E 048

IECEx BVS 07.0031

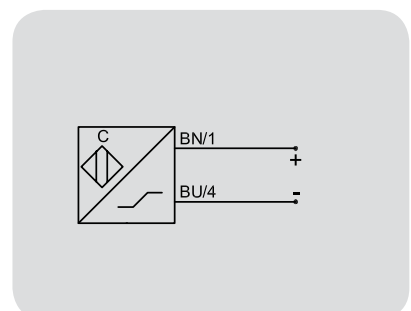
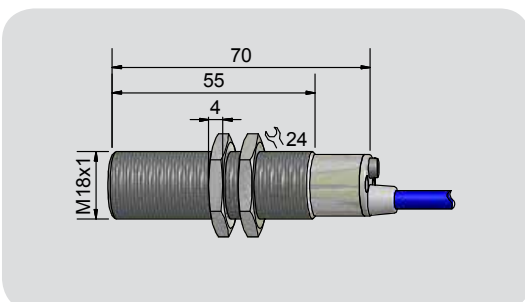
Ex II 1G Ex ia IIC T1-T6 Ga

Ex ia IIC T1-T6 Ga



| | |
|---|---|
| Technical data | Flush mountable |
| Operating range | 0...8 mm |
| Linear range | 0...4 mm |
| Electrical version | 2-wire DC |
| Output function | Analogue |
| Type Analogue current | KAS-40-A13-IL4-M18-PTFE/Ms-Z02-1-HP-1G |
| Type Analogue | KAS-40-A13-IL |
| Art. No. | KA 1340 |
| Operating voltage (U_b) | 15...35 V DC, $U_i = 27$ V DC |
| Power consumption active surface free | ≤ 4 mA |
| Power consumption active surface covered | ≥ 20 mA |
| Load resistor | R _L 0...500 Ohm |
| Self-inductance (L) | 0.2 mH |
| Self-capacitance (C) | 250 nF |
| Permitted residual ripple max. | 5 % |
| Frequency of operating cycles max. | 50 Hz |
| Permitted ambient temperature | -25...+70 °C |
| Degree of protection IEC 60529 | IP 67* |
| Norm | EN 60947-5-6 |
| Connection cable | 2 m, PUR, 2 x 0.34 mm ² |
| Housing material | Brass |
| Active surface | PTFE (FDA 21 CFR 177.1550) |
| Lid | PA / PPO |
| Accessories (is delivered with the unit) | 2 nuts M 18 x 1 |

* With sealed potentiometer screw



Made in Germany

All specifications are subject to change without notice. (27.07.2018)