

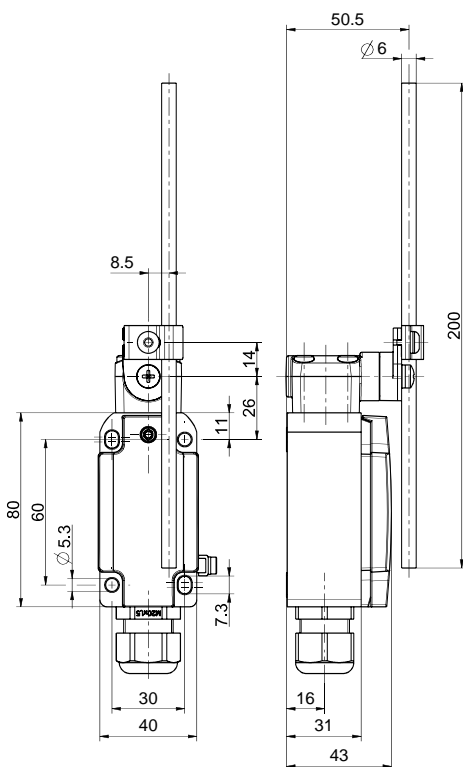


## Ex position switch Ex ES 98 DD-11U -40°C Material number: 1400759

### Features/Options:

- Ex zone 1 and 21
- Cold-resistant down to -40 °C
- Metal enclosure
- Design to EN 50041
- Wiring compartment
- Actuator: Rod lever DD
- Actuator type D to EN 50041
- Actuating speed max. 2.5 m/s with a vertical actuating angle of 30°
- Lever angle adjustable in 10° steps
- Actuator can be repositioned by 4 x 90°
- Attention: Please state required international approvals with your order!

### Dimensions



### Technical data

|                                                  |                                                                                                 |
|--------------------------------------------------|-------------------------------------------------------------------------------------------------|
| Applied standards                                | EN 60947-5-1, EN 60079-0, EN 60079-1, EN 60079-7, EN 60079-31                                   |
| Enclosure                                        | aluminium die-cast, corrosion-resistant, powder-coated, anthracite grey, similar to RAL 7016    |
| Cover                                            | stainless steel 1.4401, powder-coated, signal yellow, similar to RAL 1003                       |
| Sealing                                          | silicone                                                                                        |
| Degree of protection                             | IP 66 to IEC/EN 60529                                                                           |
| Contact material                                 | silver                                                                                          |
| Switching system                                 | slow action                                                                                     |
| Switching elements                               | 1 NC/1 NO contact with contact overlapping, type Zb                                             |
| Connection                                       | screw connection terminals                                                                      |
| Cable cross-section                              | min. 0,75 mm <sup>2</sup> / AWG 18, max. 1,5 mm <sup>2</sup> / AWG 16, incl. conductor ferrules |
| Cable entry                                      | 1 x M20 x 1.5 (incl. 1 cable gland)                                                             |
| Clamping range                                   | 7 ... 13 mm                                                                                     |
| Rated impulse withstand voltage U <sub>imp</sub> | 4 kV                                                                                            |
| Rated insulation voltage U <sub>i</sub>          | 250 V                                                                                           |
| Rated operating current I <sub>e</sub>           | max. 4.4 A T6 / max. 6.6 A T5                                                                   |
| Rated operating voltage U <sub>e</sub>           | max. 250 VAC; 125 VDC                                                                           |
| Utilisation category                             | AC-15; DC-13                                                                                    |
| Short-circuit protection                         | 4 A / 6 A gG/gN fuse                                                                            |

Errors and omissions excepted.

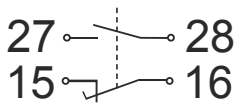


Ex position switch  
 Ex ES 98 DD-11U -40°C  
 Material number: 1400759

## Technical data

|                                     |                                                                                                                                 |
|-------------------------------------|---------------------------------------------------------------------------------------------------------------------------------|
| Ambient temperature                 | T6: -40° C ... +70° C (max. 4.4 A)<br>T5: -40° C ... +70° C (max. 6.6 A)                                                        |
| Mechanical life                     | > 1 million operations                                                                                                          |
| Operation cycles                    | max. 1800/h                                                                                                                     |
| Repeat accuracy of switching points | ± 0.1 mm                                                                                                                        |
| Impact energy                       | max. 7 J                                                                                                                        |
| Ex marking                          | II 2G Ex db eb IIC T6/T5 Gb,<br>II 2D Ex tb IIIC<br>T80°C/T95°C Db<br>IECEx Ex db eb IIC T6/T5 Gb,<br>Ex tb IIIC T80°C/T95°C Db |
| Approvals                           | DMT 01 ATEX E 178<br>IECEx BVS 07.0014<br>                                                                                      |

## Contact diagram



## Switching diagram

